

# 5026

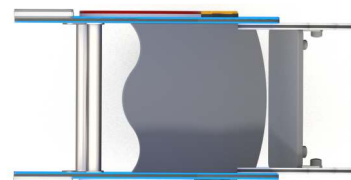
# SINGLE



## INFORMATION ABOUT THE PRODUCT

Dimensions	80 x 40 cm
Safety zone	340 x 240 cm
Safety zone area	7,33 m <sup>2</sup>
Overall height	75 cm
Free fall height	40 cm
Amount of users	1
Product complies with EN 1176-1:2017-12	YES
Availability of spare parts	YES
Age range	1-12

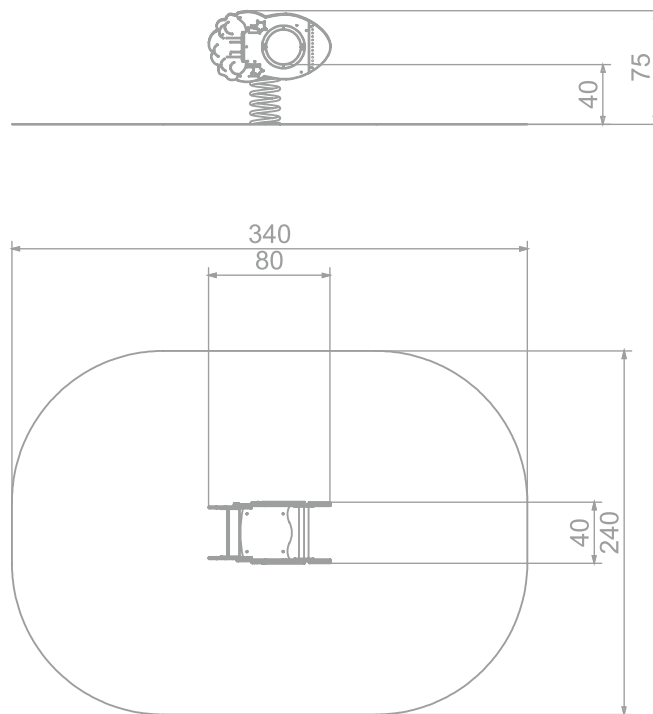
According to EN 1176-1:2017-12 norm, the product requires applying a safety surface according to the product's free fall height.



# SINGLE

# 5026

INFORMATION FOR ARCHITECTS



SCALE 1:100

## MATERIALS:

ELEMENTS  
CONSTRUCTION MADE OF  
STAINLESS STEEL AISI 304



PLATES OF THE WALLS  
MADE OF COLOURFUL  
TRIPLE LAYERED 15 MM  
HDPE POLYETHYLENE



PLATE AND ROPE  
CONNECTORS MADE OF  
INJECTION MOLDED  
POLYAMIDE



CONNECTING ELEMENTS LIKE  
SCREWS, NUTS, WASHERS  
MADE OF STAINLESS STEEL



SPRINGERS' SPRINGS MADE  
OF SPRING STEEL

