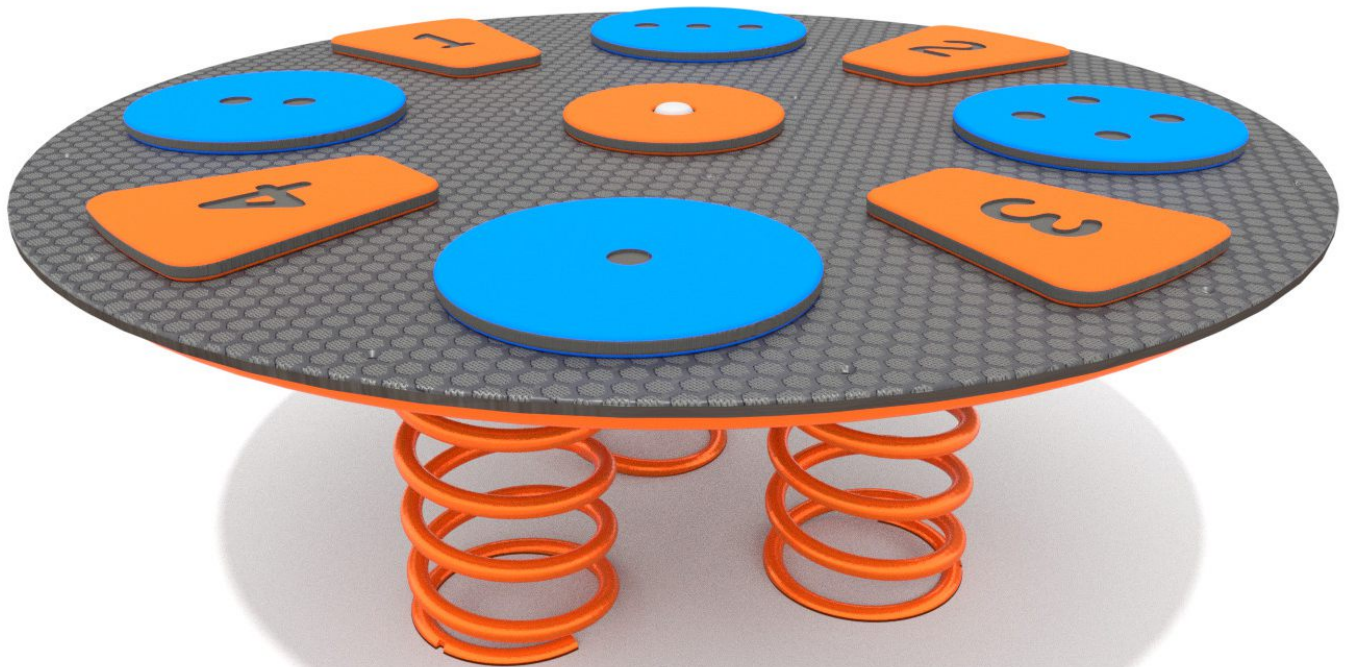


# 5027

# SINGLE



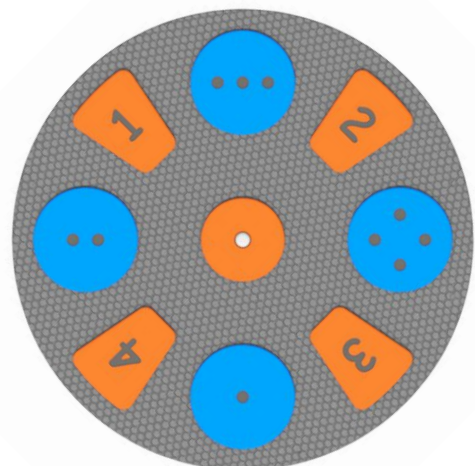
SOCIALIZING



## INFORMATION ABOUT THE PRODUCT

Dimensions	110 x 110 cm
Safety zone	410 x 410 cm
Safety zone area	13,20 m <sup>2</sup>
Overall height	45 cm
Free fall height	45 cm
Amount of users	3
Product complies with EN 1176-1:2017-12	YES
Availability of spare parts	YES
Age range	1-12

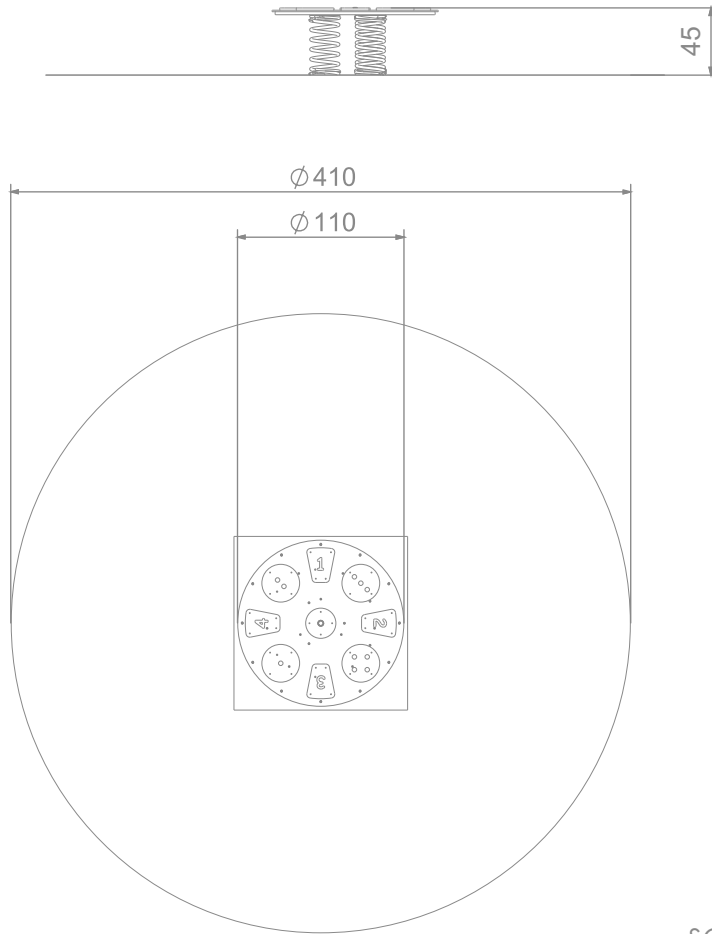
According to EN 1176-1:2017-12 norm, the product requires applying a safety surface according to the product's free fall height.



# 5027

# SINGLE

INFORMATION FOR ARCHITECTS



SCALE 1:50

## MATERIALS:

PLATES OF THE WALLS  
MADE OF COLOURFUL  
TRIPLE LAYERED 15 MM  
HDPE POLYETHYLENE



ANTI-SLIP 10 MM HPL  
PLATFORM PLATE



SPRINGERS' SPRINGS MADE  
OF SPRING STEEL

