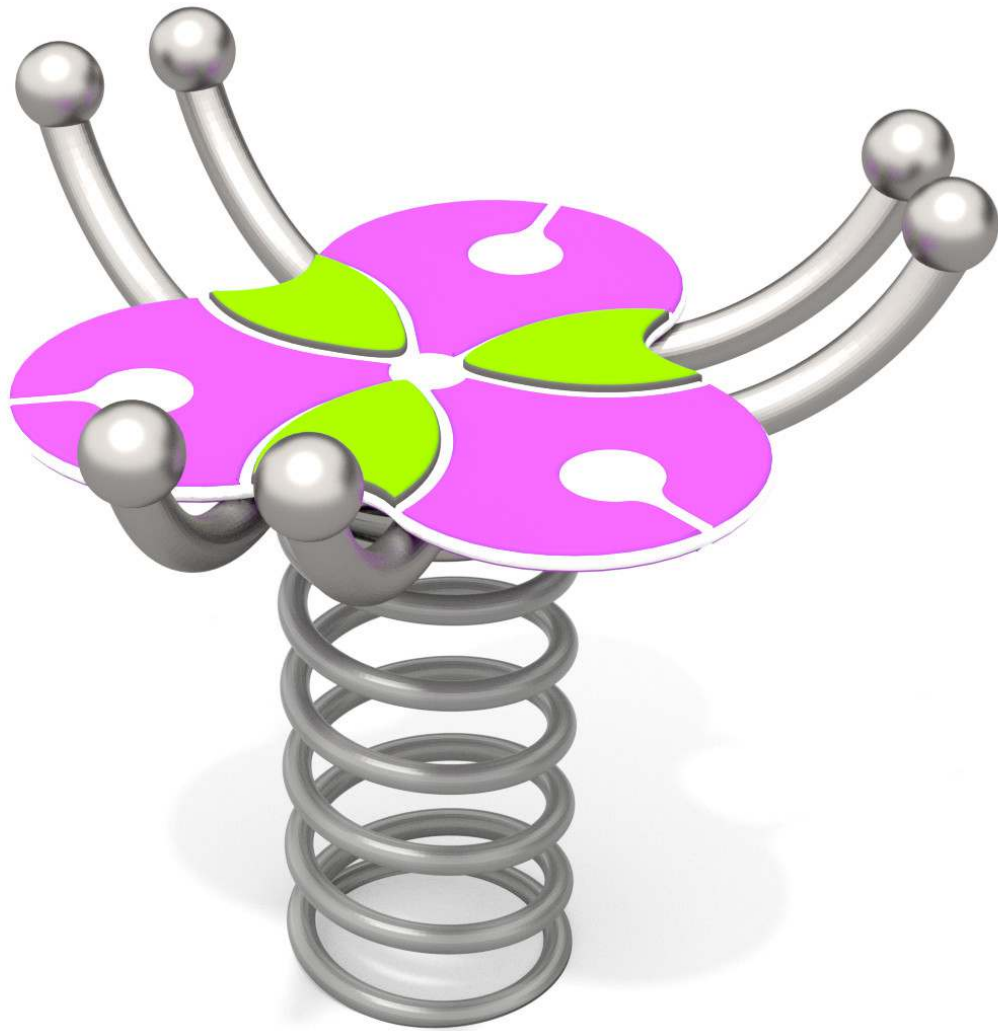


5028

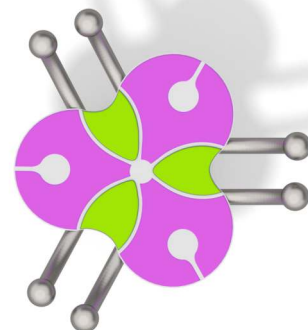
SINGLE



INFORMATION ABOUT THE PRODUCT

Dimensions	62 x 68 cm
Safety zone	262 x 268 cm
Safety zone area	6,16 m ²
Overall height	57 cm
Free fall height	40 cm
Amount of users	1
Product complies with EN 1176-1:2017	YES
Availability of spare parts	YES
Age range	1-12

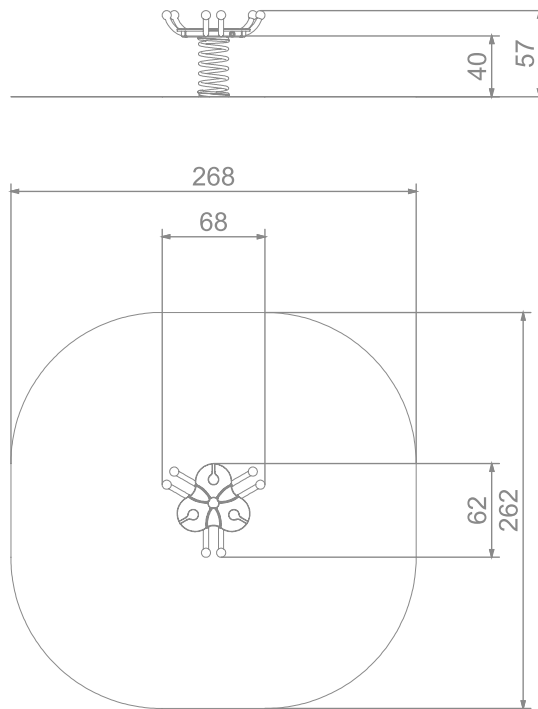
According to EN 1176-1:2017 norm, the product requires applying a safety surface according to the product's free fall height.



5028

SINGLE

INFORMATION FOR ARCHITECTS



SCALE 1:50

MATERIALS:

SOLID CONSTRUCTION
MADE OF STAINLESS STEEL
ASISI 304



PLATES OF THE WALLS
MADE OF COLOURFUL
TRIPLE LAYERED 15 MM
HDPE POLYETHYLENE



SPRINGERS' SPRINGS MADE
OF SPRING STEEL

