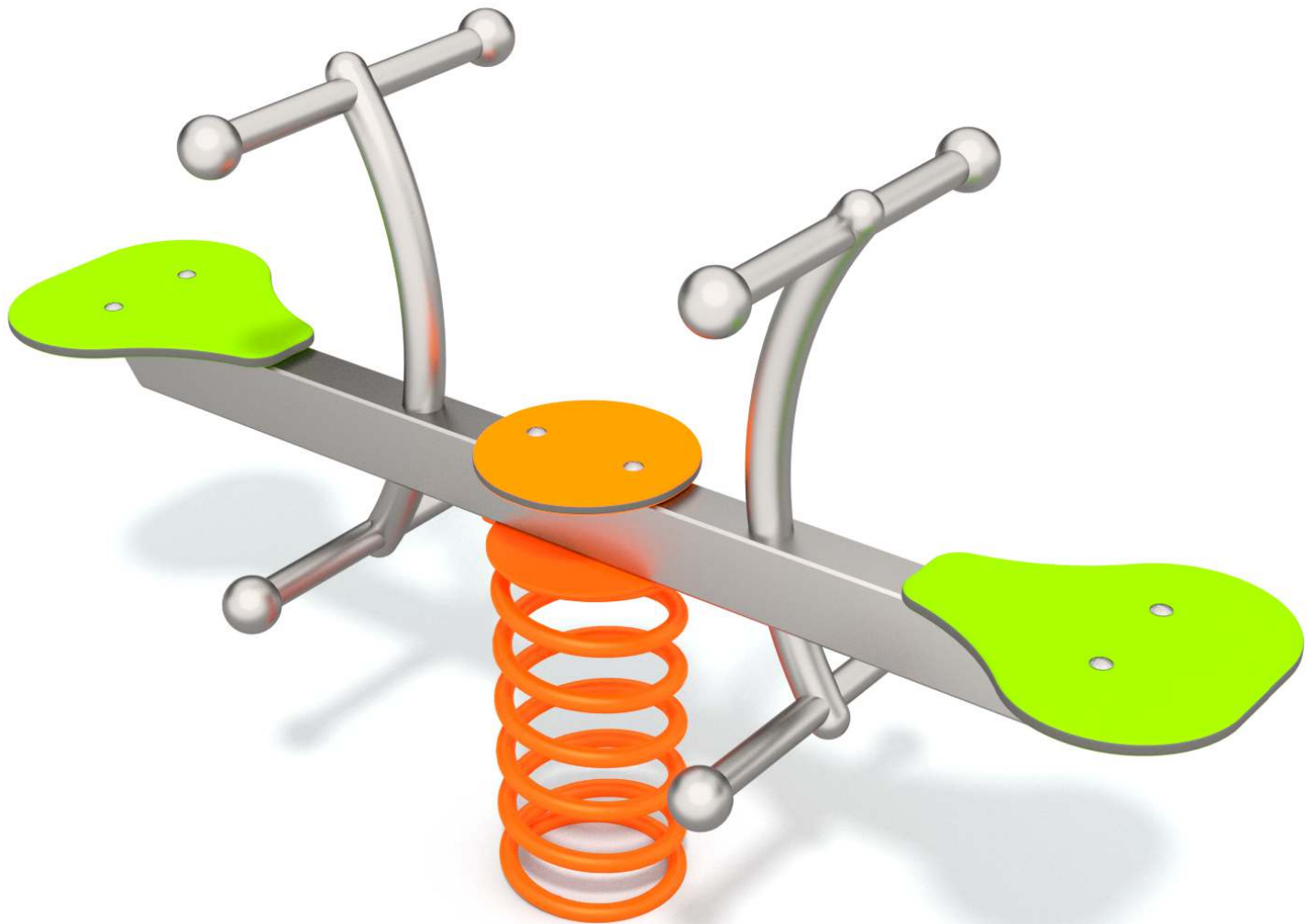


5030

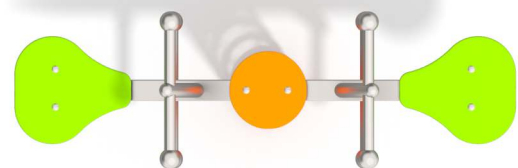
SINGLE



INFORMATION ABOUT THE PRODUCT

Dimensions	145 x 45 cm
Safety zone	345 x 245 cm
Safety zone area	7,59 m ²
Overall height	85 cm
Free fall height	77 cm
Amount of users	2
Product complies with EN 1176-1:2017-12	YES
Availability of spare parts	YES
Age range	1-12

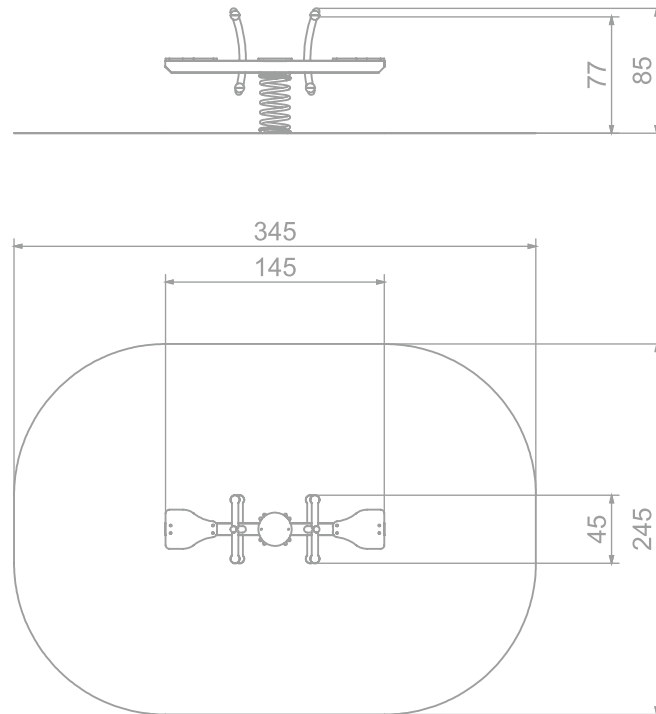
According to EN 1176-1:2017-12 norm, the product requires applying a safety surface according to the product's free fall height.



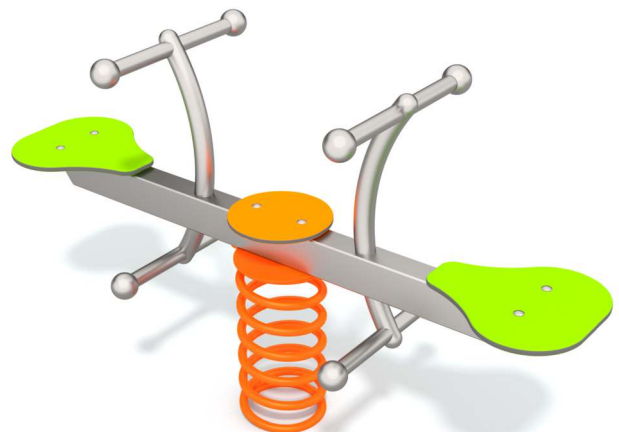
5030

SINGLE

INFORMATION FOR ARCHITECTS



SCALE 1:50



MATERIALS:

SOLID CONSTRUCTION
MADE OF STAINLESS STEEL
ASISI 304

PLATES OF THE WALLS
MADE OF COLOURFUL
TRIPLE LAYERED 15 MM
HDPE POLYETHYLENE

SPRINGERS' SPRINGS MADE
OF SPRING STEEL

