

5031

SINGLE



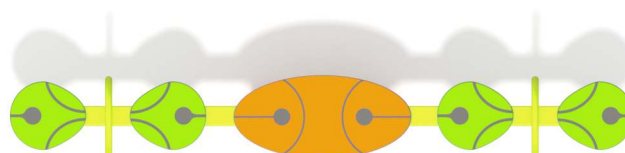
SOCIALIZING



INFORMATION ABOUT THE PRODUCT

Dimensions	38 x 300 cm
Safety zone	238 x 500 cm
Safety zone area	11,04 m ²
Overall height	80 cm
Free fall height	90 cm
Amount of users	4
Product complies with EN 1176-1:2017-12	YES
Availability of spare parts	YES
Age range	1-12

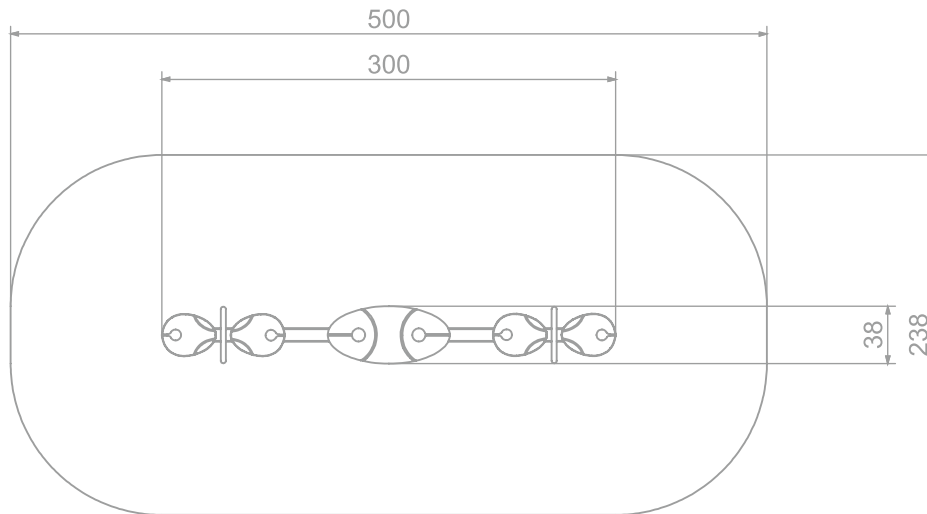
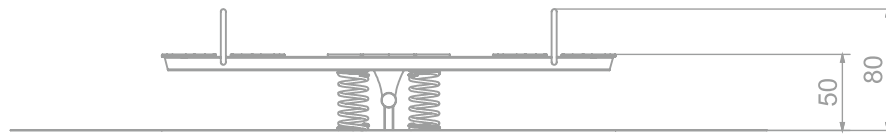
According to EN 1176-1:2017-12 norm, the product requires applying a safety surface according to the product's free fall height.



5031

SINGLE

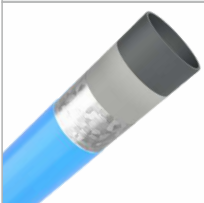
INFORMATION FOR ARCHITECTS



SCALE 1:50

MATERIALS:

SOLID CONSTRUCTION
MADE OF BLACK STEEL
IS235JR, CLEANED THE
SANDBLASTING PROCESS



PLATES OF THE WALLS
MADE OF COLOURFUL
TRIPLE LAYERED 15 MM
HDPE POLYETHYLENE



SPRINGERS' SPRINGS MADE
OF SPRING STEEL

