

5034

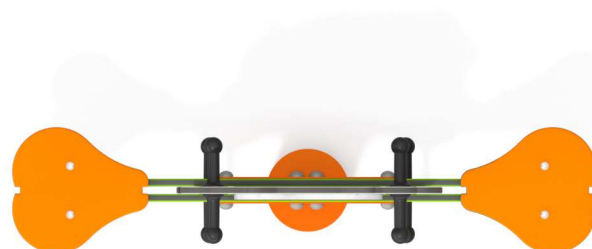
SINGLE



INFORMATION ABOUT THE PRODUCT

Dimensions	27 x 145 cm
Safety zone	227 x 345 cm
Safety zone area	6,96 m ²
Overall height	118 cm
Free fall height	72 cm
Amount of users	2
Product complies with EN 1176-1:2017-12	YES
Availability of spare parts	YES
Age range	1-12

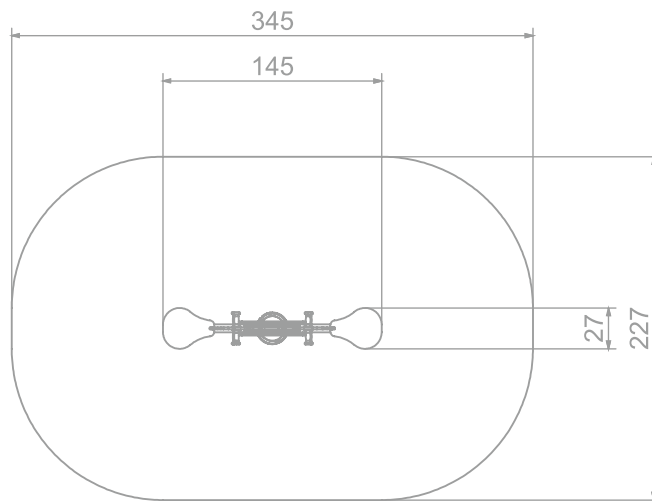
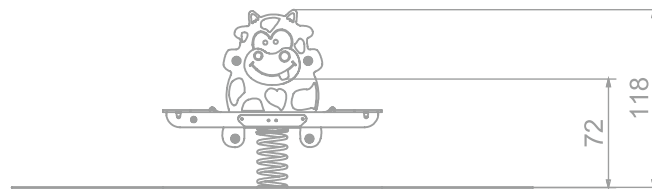
According to EN 1176-1:2017-12 norm, the product requires applying a safety surface according to the product's free fall height.



5034

SINGLE

INFORMATION FOR ARCHITECTS



SCALE 1:50

MATERIALS:

HANDHOLD MADE OF INJECTION MOLDED POLYAMIDE

PLATES OF THE WALLS MADE OF COLOURFUL TRIPLE LAYERED 15 MM HDPE POLYETHYLENE

SPRINGERS' SPRINGS MADE OF SPRING STEEL

