

8514

DINO



SOCIALIZING



CLIMBING



SLIDING



BALANCING



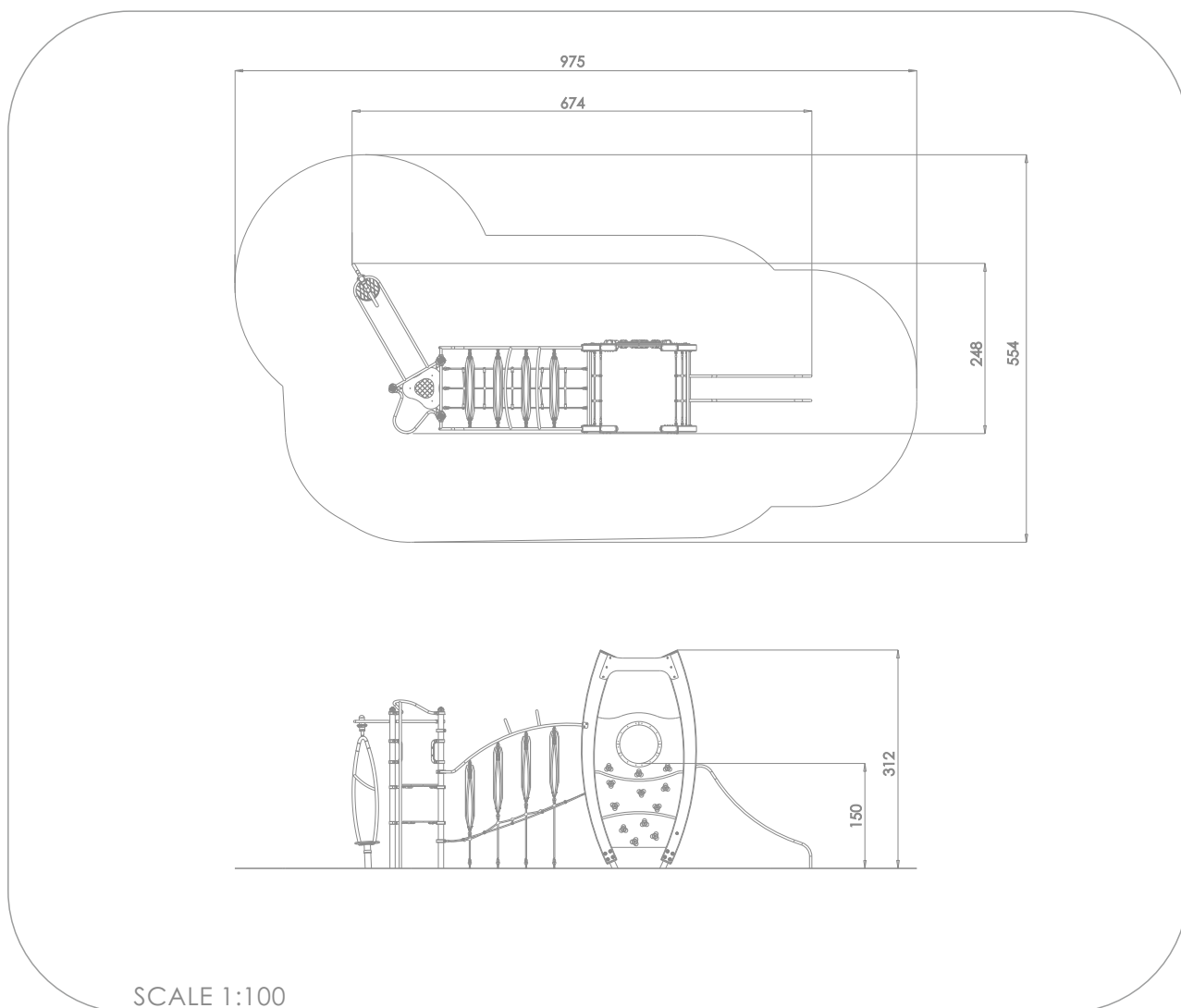
INFORMATION ABOUT THE PRODUCT

Dimensions	674 x 248 cm
Safety zone	975 x 554 cm
Safety zone area	40 m ²
Overall height	312 cm
Free fall height	150 cm
Amount of users	12
Product complies with EN 1176-1:2017-12	YES
Availability of spare parts	YES
Age range	3-12






According to EN 1176-1:2017-12 norm, the product requires applying a safety surface according to the product's free fall height.



8514



MATERIALS:

<p>SOLID CONSTRUCTION MADE OF STAINLESS STEEL AISI 304 TOTALLY RESISTANT TO WEATHER CONDITIONS.</p>	<p>BENDED POSTS MADE OF SOFT CONIFER WOOD 9 CM THICK, 26 CM WIDE AND 280 CM LONG.</p>	<p>PLATES OF THE WALLS AND PLATFORMS MADE OF COLOURFUL 13 MM HPL (BLACK PLATES MADE OF 8 MM HPL).</p>	<p>ANTI-SLIP ANTHRACITE 10 MM HPL PLATFORM PLATE</p>	
				
<p>PLATES OF THE WALLS MADE OF COLOURFUL TRIPLE LAYERED 15 MM HDPE POLYETHYLENE, IN THE HIGHEST QUALITY.</p>	<p>POLYPROPYLENE ROPES PP-MULTISPLIT TYPE WITH A STEEL CORE AND A DIAMETER OF 16 MM.</p>	<p>ATTESTED 6 MM STAINLESS STEEL CHAINS</p>	<p>ERGONOMICALLY-SHAPED POLYETHYLENE RINGS IMPROVING THE PHYSICAL WELL-BEING AND MOTOR COORDINATION.</p>	<p>CLIMBING ROCKS MADE OF CHIPPINGS AND COLOURFUL POLYESTER RESIN</p>
