

7120

MINI



SOCIALIZING



SENSORIAL
INTEGRATION



JUMPING

INFORMATION ABOUT THE PRODUCT

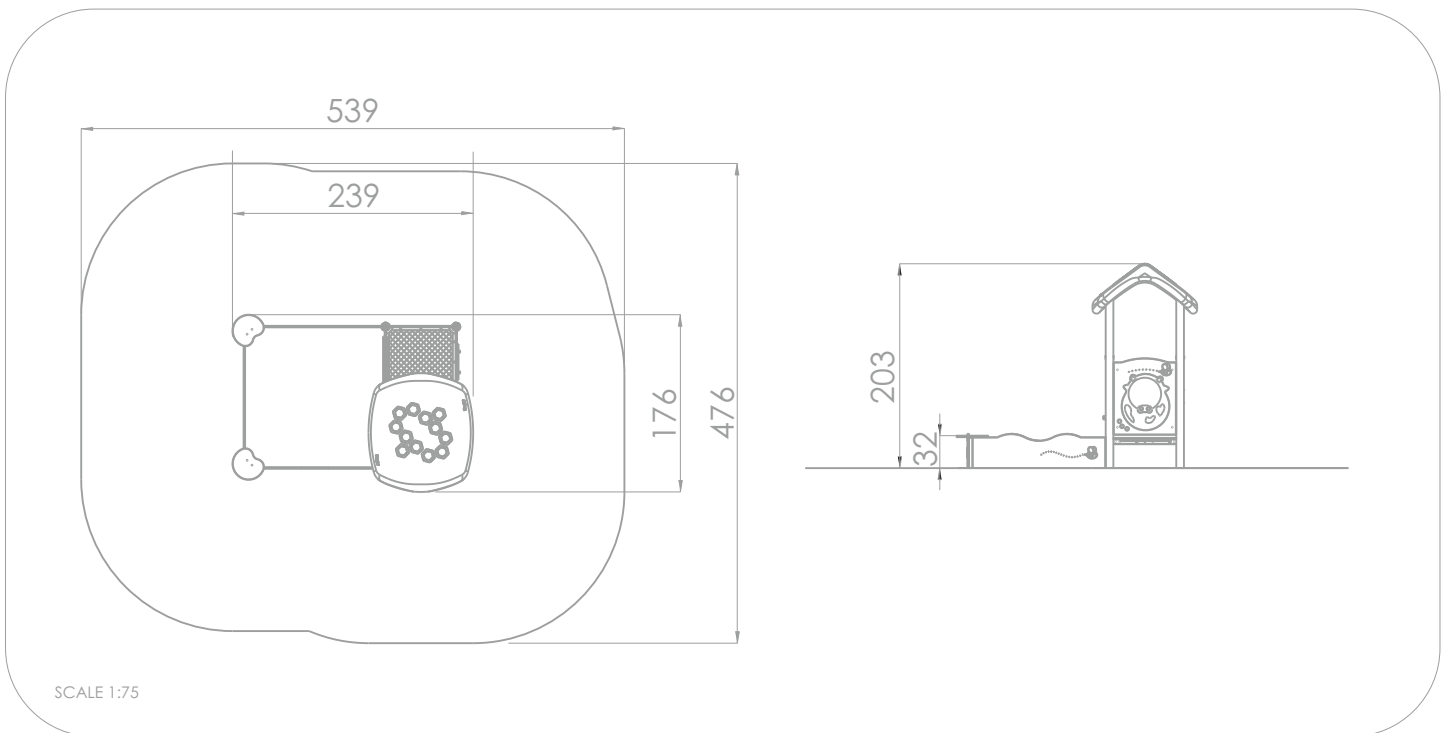
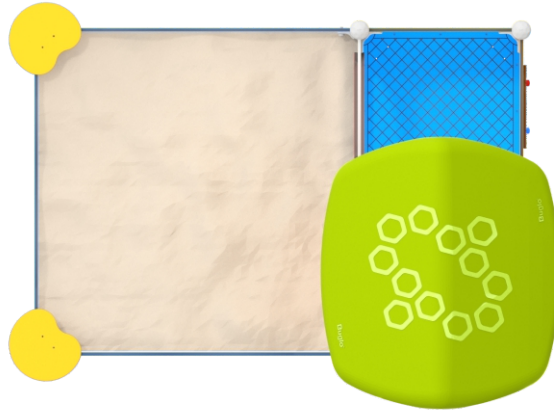
Dimensions	239 x 176 cm
Safety zone	539 x 476 cm
Safety zone area	22,95 m ²
Overall height	203 cm
Free fall height	32 cm
Amount of users	12
Product complies with EN 1176-1:2017-12	YES
Availability of spare parts	YES
Age range	1-8

According to EN 1176-1:2017-12 norm, the product requires applying a safety surface according to the product's free fall height.



7120

MINI



MATERIALS:

<p>STEEL CONSTRUCTION: STAINLESS STEEL AISI304.</p>	<p>ROOFS MADE OF POLYETHYLENE ROTATIONALLY MOLDED.</p>	<p>MILLED EDUCATIONAL BOARD MADE OF 15MM HDPE PLATE. STIMULATES CHILDREN SENSES.</p>	<p>MILLED EDUCATIONAL BOARD MADE OF 15 MM HDPE PLATE.</p>	
<p>CLIMBING WALLS AND SIDES OF STAIRS: HPL 13 MM.</p>	<p>PLATES OF THE WALLS MADE OF COLOURFUL TRIPLE LAYERED 15 MM HDPE POLYETHYLENE.</p>	<p>MODULE, WHICH ALLOWS TO MOVE SHAPES ON THE MILLED TRACKS. CORRECTS VISUAL- MOTOR COORDINATION. MADE OF 15 MM HDPE PLATES.</p>	<p>PASSAGE MODULE MADE OF 15 MM HDPE PLATE.</p>	<p>PLATE AND ROPE CONNECTORS AND SAFE PIPE PLUGS MADE OF INJECTION MOLDED POLYAMIDE.</p>

