

7122

MINI



SLIDING



SOCIALIZING



JUMPING

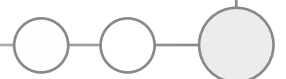


SENSORIAL
INTEGRATION

INFORMATION ABOUT THE PRODUCT

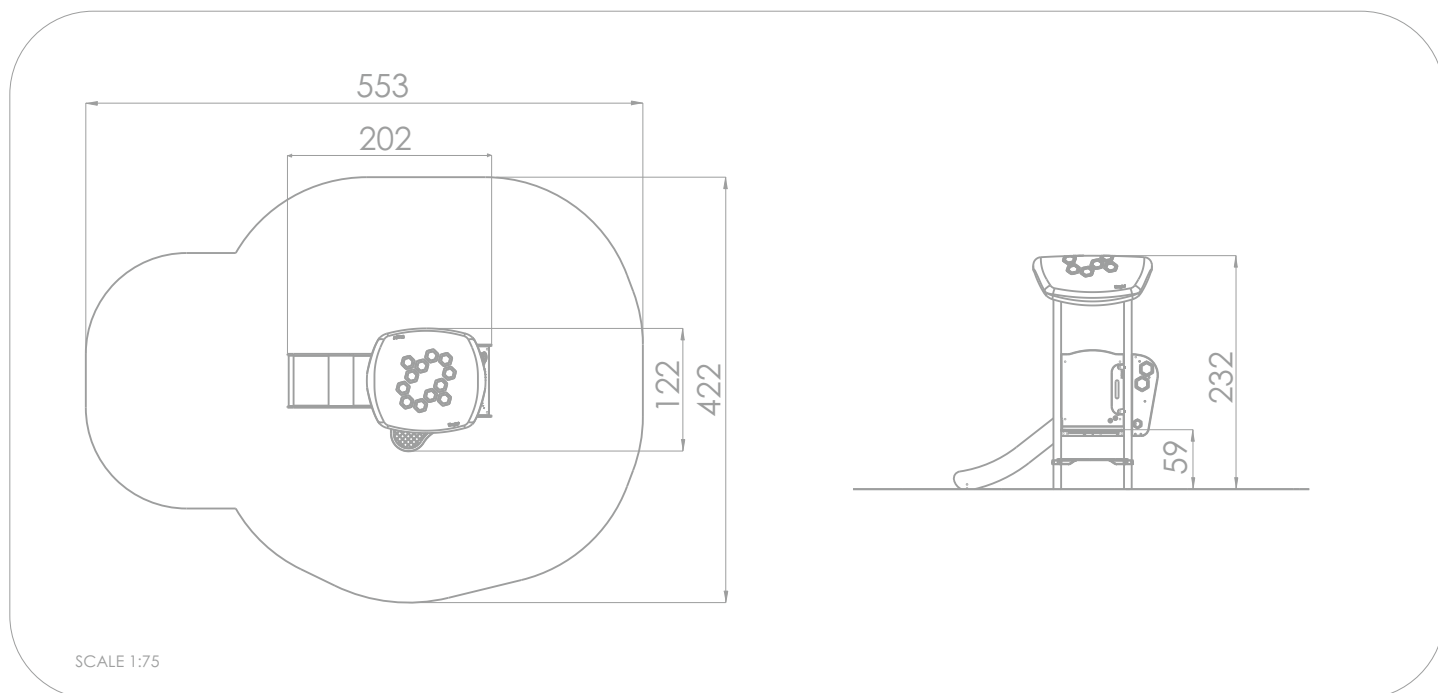
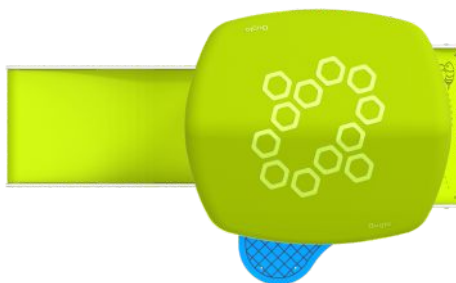
Dimensions	202 x 122 cm
Safety zone	552 x 422 cm
Safety zone area	18,16 m ²
Overall height	232 cm
Free fall height	59 cm
Amount of users	5
Product complies with EN 1176-1:2017-12	YES
Availability of spare parts	YES
Age range	1-8

According to EN 1176-1:2017-12 norm, the product requires applying a safety surface according to the product's free fall height.



7122

MINI



MATERIALS:

<p>STEEL CONSTRUCTION: STAINLESS STEEL AISI304.</p>	<p>ROOFS MADE OF POLYETHYLENE ROTATIONALLY MOLDED.</p>	<p>PLATES OF THE WALLS MADE OF COLOURFUL TRIPLE LAYERED 15 MM HDPE POLYETHYLENE, IN THE HIGHEST QUALITY, TOTALLY DAMP-PROOF.</p>	<p>BALCONY: HDPE 15 MM.</p>
			
<p>CLIMBING WALLS AND SIDES OF STAIRS: HPL 13 MM.</p>	<p>SLIDES FOR SMALL CHILDREN MADE OF POLYESTER RESIN. SIDE PANELS MADE OF HDPE POLYETHYLENE 15 MM, RESISTANT TO UV.</p>	<p>PLATE AND ROPE CONNECTORS AND SAFE PIPE PLUGS MADE OF INJECTION MOLDED POLYAMIDE.</p>	<p>ROTARY MODULE, MADE OF 13MM HPL PLATES.</p>
			

