

# 7111

## MINI



SLIDING



SOCIALIZING



SENSORIAL  
INTEGRATION



JUMPING

### INFORMATION ABOUT THE PRODUCT

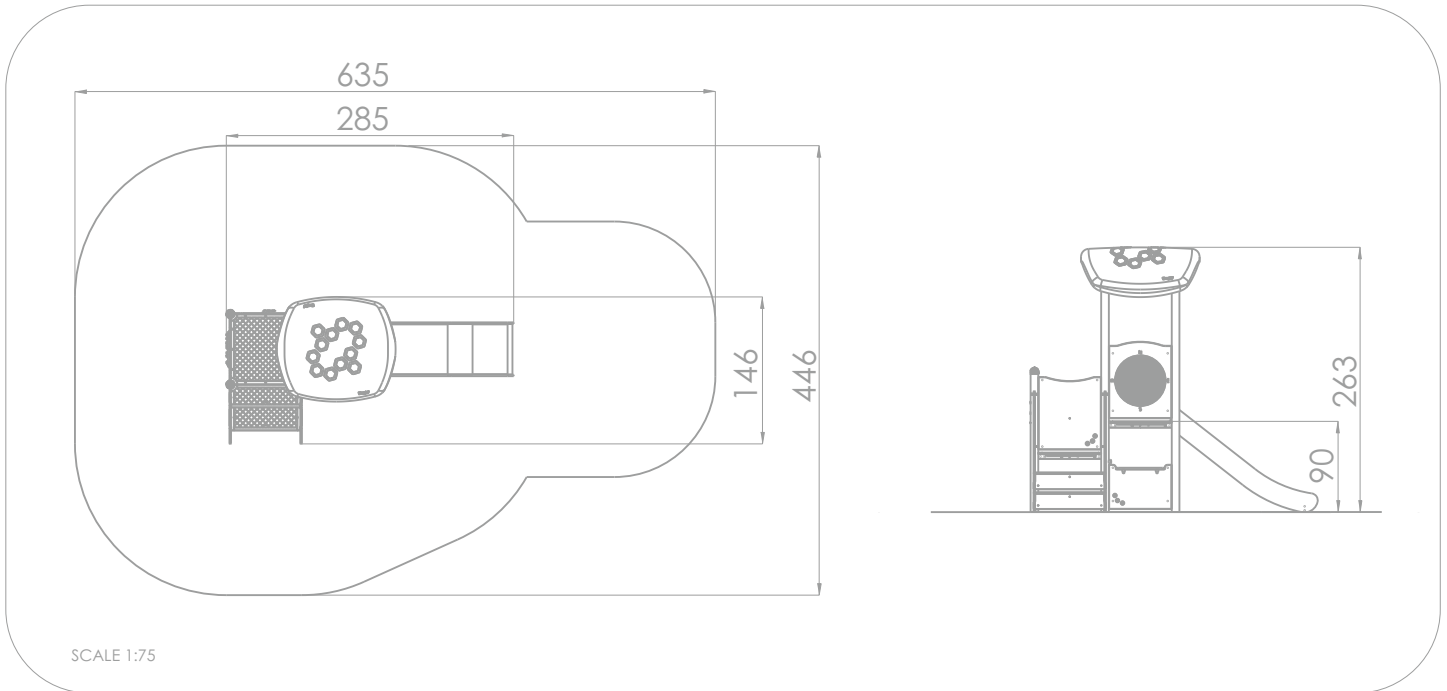
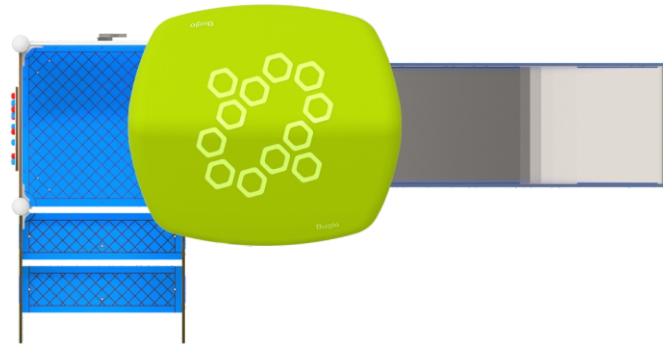
Dimensions	146 x 285 cm
Safety zone	446 x 635 cm
Safety zone area	22,14 m <sup>2</sup>
Overall height	263 cm
Free fall height	90 cm
Amount of users	10
Product complies with EN 1176-1:2017-12	YES
Availability of spare parts	YES
Age range	1-8

According to EN 1176-1:2017-12 norm, the product requires applying a safety surface according to the product's free fall height.



# 7111

# MINI



SCALE 1:75

## MATERIALS:

<p>STEEL CONSTRUCTION: STAINLESS STEEL AISI304.</p>	<p>ROOFS MADE OF POLYETHYLENE ROTATIONALLY MOLDED.</p>	<p>PLATES: HDPE 15 MM.</p>	<p>COUNTER MODULE MADE OF 15 MM HDPE PLATE.</p>		
					
<p>ELEMENTS: HPL 13 MM.</p>	<p>SLIDES MADE OF STAINLESS STEEL AISI 304. METAL SHEET WITH A THICKNESS OF 2 MM FORMED IN A CNC TECHNIQUE.</p>	<p>PLATE AND ROPE CONNECTORS AND SAFE PIPE PLUGS MADE OF INJECTION MOLDED POLYAMIDE.</p>	<p>MILLED EDUCATIONAL BOARD MADE OF 15 MM HDPE PLATE. IT FOCUSES ATTENTION.</p>	<p>MILLED EDUCATIONAL BOARD MADE OF 15 MM THICK HDPE BOARD WITH A MOVABLE ROTATING ELEMENT.</p>	<p>MILLED EDUCATIONAL BOARD MADE OF 15 MM THICK HDPE BOARD WITH A MOVABLE ROTATING ELEMENT.</p>
