

7610

STREET WORKOUT



SOCIALIZING



CLIMBING

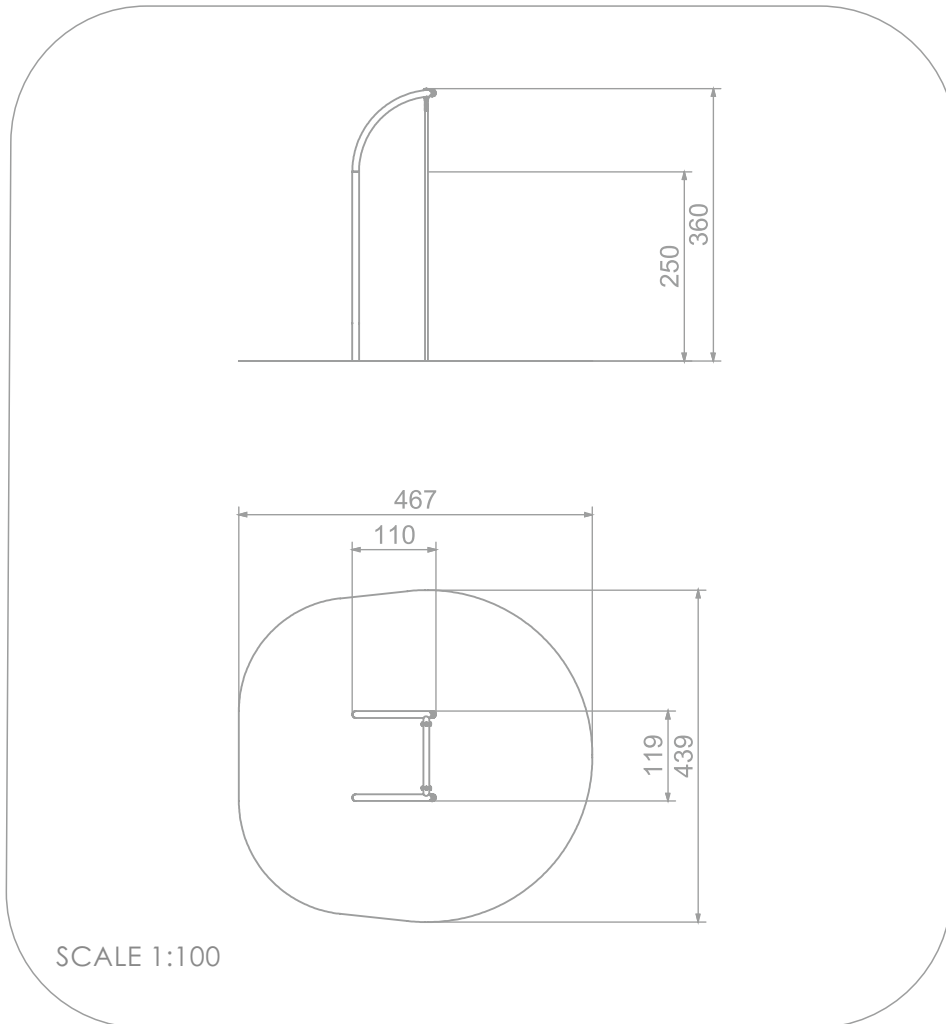
INFORMATION ABOUT THE PRODUCT

Dimensions	119 x 110 cm
Safety zone	439 x 467 cm
Safety zone area	18 m ²
Overall height	360 cm
Free fall height	250 cm
Product complies with EN 16630:2015-06	YES
Availability of spare parts	YES



7610

STREET WORKOUT



MATERIALS:

SOLID CONSTRUCTION
MADE OF BLACK STEEL
S235JR, CLEANED IN THE
SANDBLASTING PROCESS



POST ENDINGS FINISHED
WITH SOFT EPDM RUBBER



POLYESTER POWER ROPE
WITH 38 MM DIAMETER

