

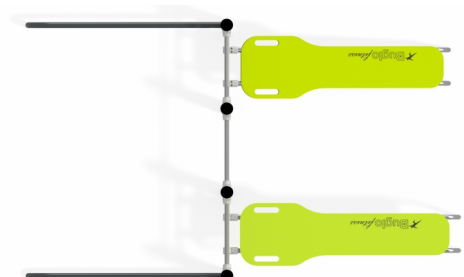
7616

STREET WORKOUT



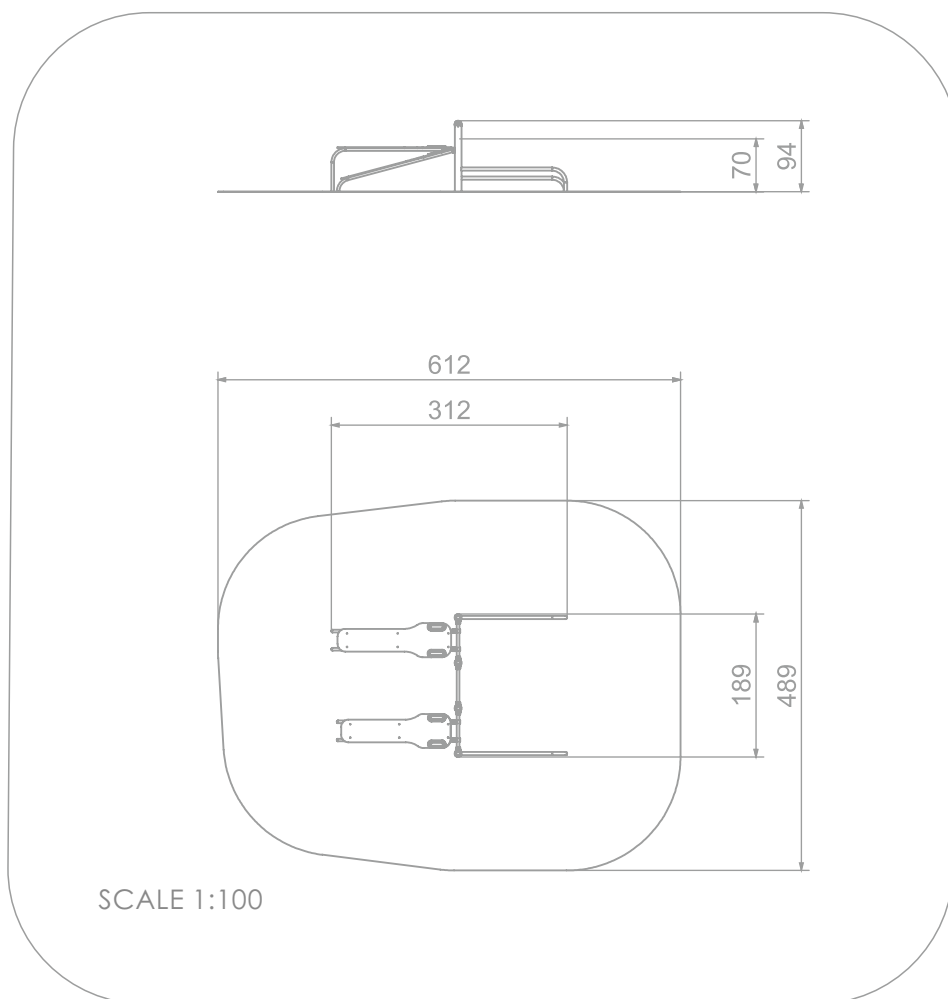
INFORMATION ABOUT THE PRODUCT

Dimensions	312 x 189 cm
Safety zone	612 x 489 cm
Safety zone area	27 m ²
Overall height	94 cm
Free fall height	70 cm
Product complies with EN 16630:2015-06	YES
Availability of spare parts	YES
According to EN 1176-1:2017-12 norm, the product requires applying a safety surface according to the product's free fall height.	



7616

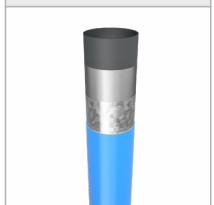
STREET WORKOUT



MATERIALS:

SOLID CONSTRUCTION
MADE OF BLACK STEEL
S235JR, CLEANED IN THE
SANDBLASTING PROCESS

POST ENDINGS FINISHED
WITH SOFT EPDM RUBBER



SOLID CONSTRUCTION
MADE OF STAINLESS STEEL
AISI304

PATENTED SYSTEM OF
CONNECTORS AND
CLAMPS MADE OF
STRONG ALUMINUM
ALLOY

COLOURFULL HPL PANELS
13 MM

