

7606

STREET WORKOUT



SOCIALIZING



INFORMATION ABOUT THE PRODUCT

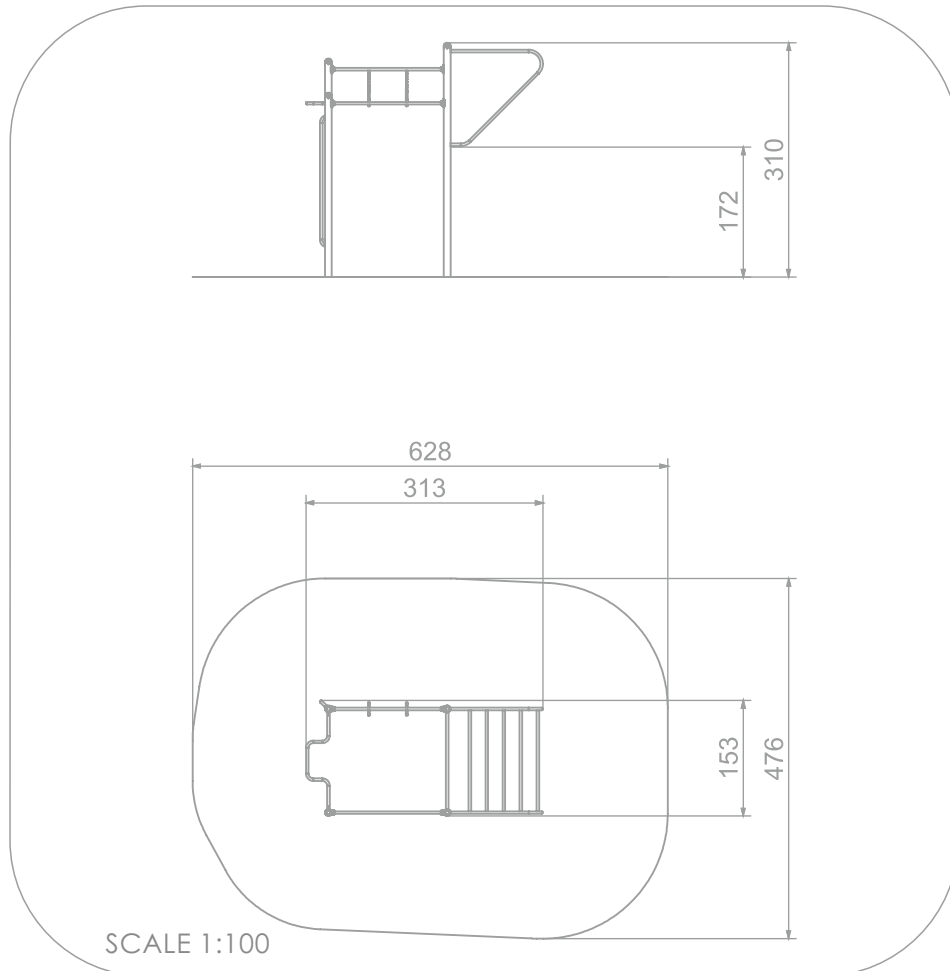
Dimensions	313 x 153 cm
Safety zone	628 x 476 cm
Safety zone area	27 m ²
Overall height	310 cm
Free fall height	172 cm
Product complies with EN 16630:2015-06	YES
Availability of spare parts	YES

According to EN 1176-1:2017-12 norm, the product requires applying a safety surface according to the product's free fall height.



7606

STREET WORKOUT



MATERIALS:

SOLID CONSTRUCTION
MADE OF BLACK STEEL
S235JR, CLEANED IN THE
SANDBLASTING PROCESS

POST ENDINGS FINISHED
WITH SOFT EPDM RUBBER



PATENTED SYSTEM OF
CONNECTORS AND
CLAMPS MADE OF
STRONG ALUMINUM
ALLOY

SOLID CONSTRUCTION
MADE OF STAINLESS STEEL
AISI304

