

# 9106

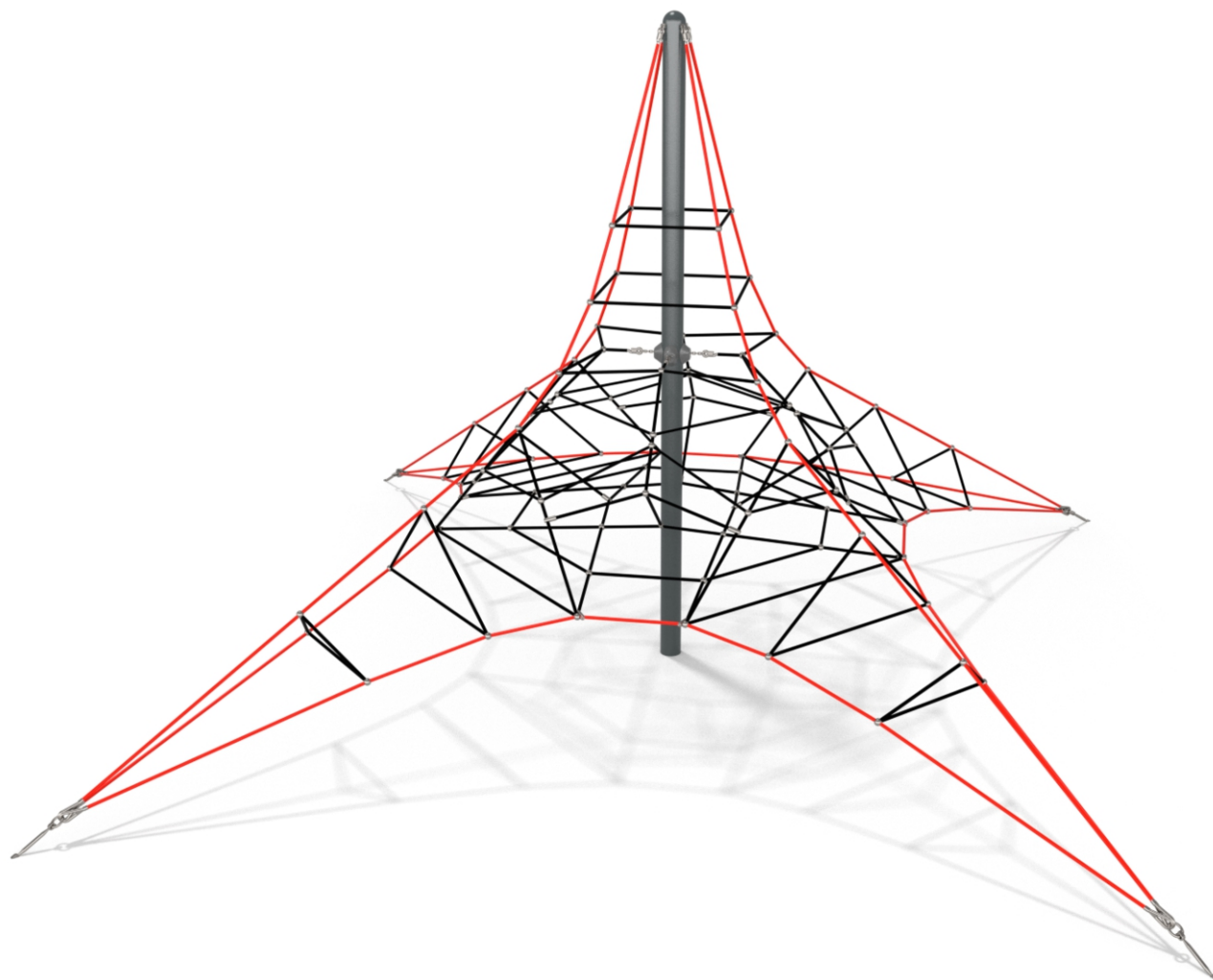
## ACROBAT



SOCIALIZING

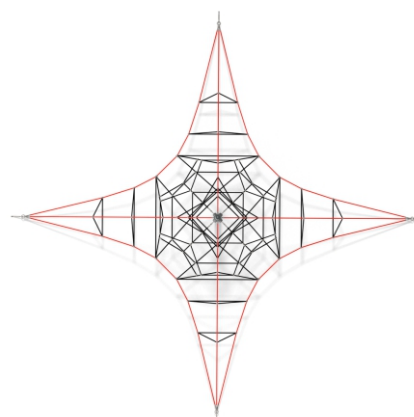


CLIMBING



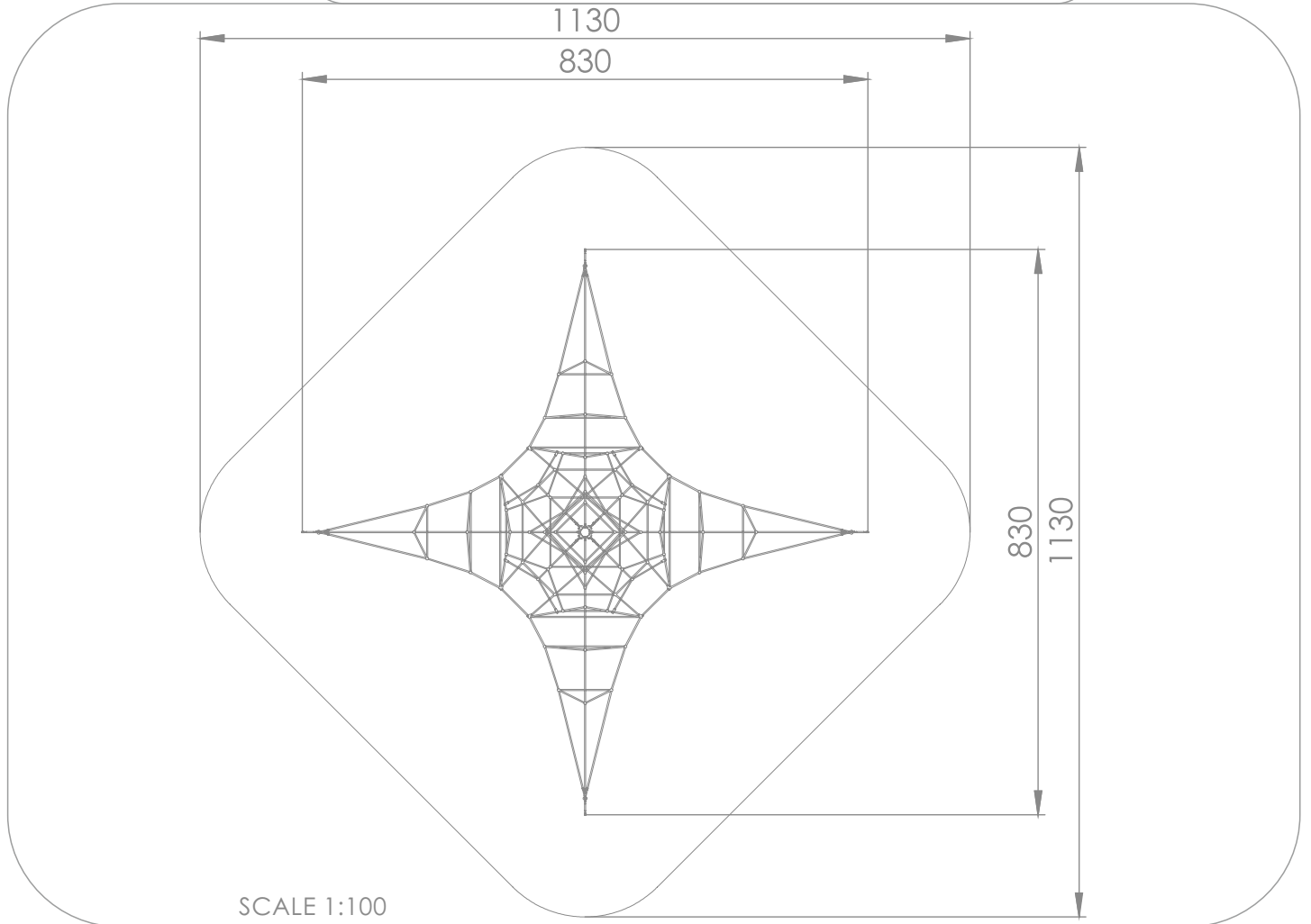
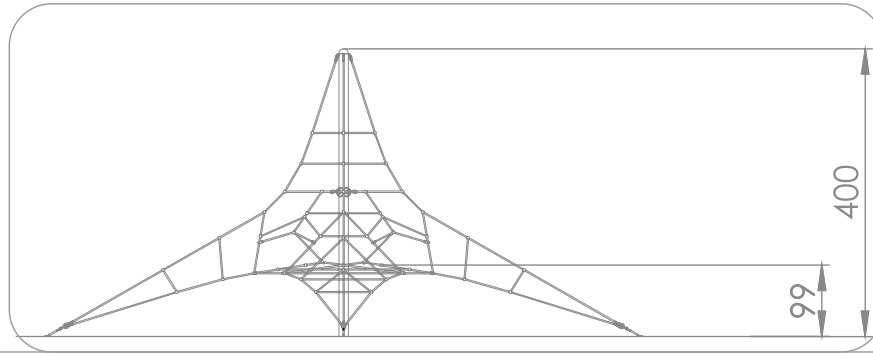
### INFORMATION ABOUT THE PRODUCT

Dimensions	830 x 830 cm
Safety zone	1130 x 1130 cm
Safety zone area	77 m <sup>2</sup>
Overall height	400 cm
Free fall height	99 cm
Amount of users	20
Product complies with EN 1176-1:2017	YES
Availability of spare parts	YES
Age range	3-12
According to EN 1176-1:2017 norm, the product requires applying a safety surface according to the product's free fall height.	



9106

ACROBAT



SCALE 1:100

MATERIALS:

<p>SOLID CONSTRUCTION MADE OF BLACKSTEEL S235JR, CLEANED IN THE SANDBLASTING PROCESS</p>	<p>ROPE ENDINGS PRESSED IN A SLEEVE MADE OF DURABLE ALUMINUM ALLOY</p>	<p>PYRAMID TENSIONER MATERIAL: HOT - DIP GALVANISED STEEL</p>	<p>INNOVATIVE SYSTEM OF CONNECTORS OF STAINLESS STEEL CHAINS WITH POSTS</p>
			
<p>SOLID AND ESTHETIC ROPE CONNECTORS MADE OF INJECTION MOLDED POLYAMIDE</p>	<p>ROPE CROSS BRACING SYSTEM DEDICATED FOR USE IN ELEMENTS WITH REQUIREMENT OF HIGH DURABILITY</p>	<p>POLYPROPYLENE ROPES PP - MULTISPLIT TYPE WITH A STEEL CORE AND A DIAMETER OF 16 MM</p>	<p>CONNECTING ELEMENTS LIKE SCREWS, NUTS, WASHERS MADE OF STAINLESS STEEL</p>
			

