

9125

ACROBAT



SOCIALIZING

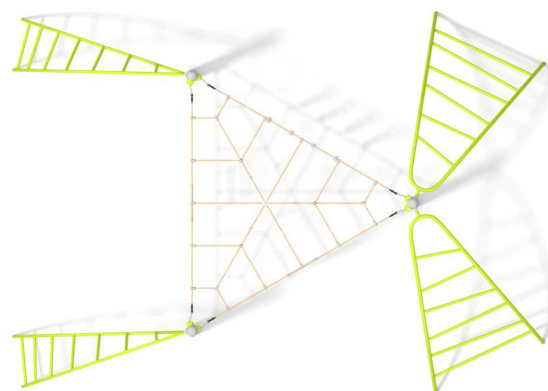


CLIMBING



INFORMATION ABOUT THE PRODUCT

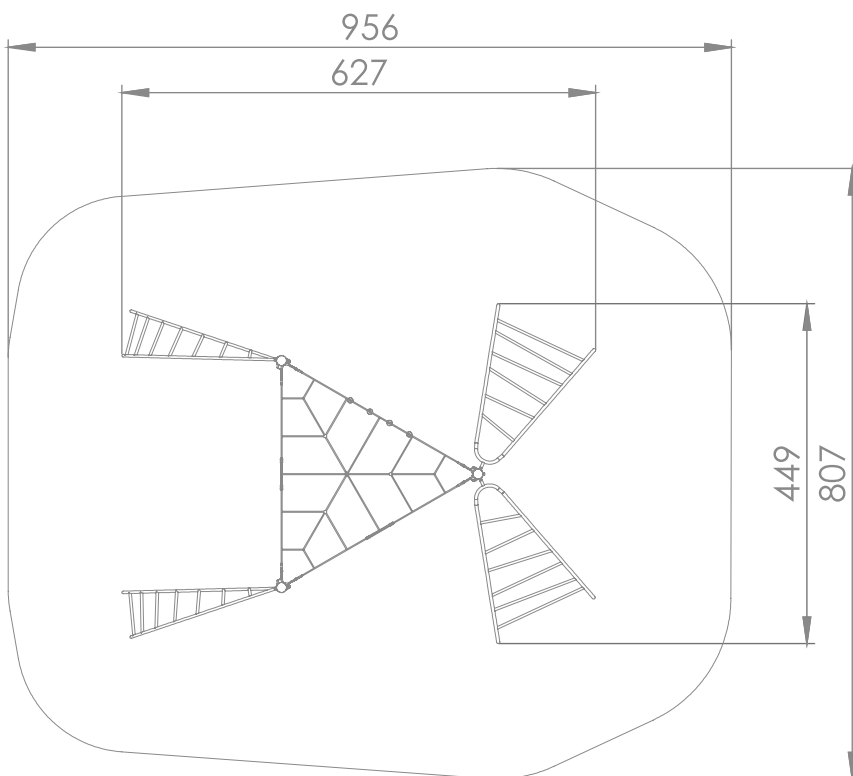
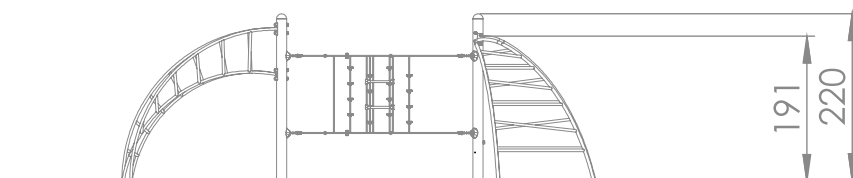
Dimensions	449 x 627 cm
Safety zone	956 x 807 cm
Safety zone area	73 m ²
Overall height	220 cm
Free fall height	191 cm
Amount of users	16
Product complies with EN 1176-1:2017-12	YES
Availability of spare parts	YES
Age range	3-12
According to EN 1176-1:2017-12 norm, the product requires applying a safety surface according to the product's free fall height.	



9125

ACROBAT

INFORMATION FOR ARCHITECTS



SCALE 1:100

MATERIALS:

<p>INNOVATIVE SYSTEM OF CONNECTORS OF STAINLESS STEEL CHAINS WITH POSTS</p>	<p>ROPE ENDINGS PRESSED IN A SLEEVE MADE OF DURABLE ALUMINUM ALLOY</p>	<p>SOLID CONSTRUCTION MADE OF BLACKSTEEL S235JR, CLEANED IN THE SANDBLASTING PROCESS</p>	<p>ATTESTED 6 MM STAINLESS STEEL CHAINS</p>
<p>ROPE LADDER STEPS AND ROPE KNOTS MADE OF INJECTION MOLDED POLYAMIDE</p>	<p>CONNECTING ELEMENTS LIKE SCREWS, NUTS, WASHERS MADE OF STAINLESS STEEL</p>	<p>POLYPROPYLENE ROPES PP - MULTISPLIT TYPE WITH A STEEL CORE AND A DIAMETER OF 16 MM</p>	<p>VANDAL-PROOF SCREW PLUGS MADE OF INJECTION MOLDED POLYAMIDE</p>

