

8903

ECO



SOCIALIZING



CLIMBING



SLIDING



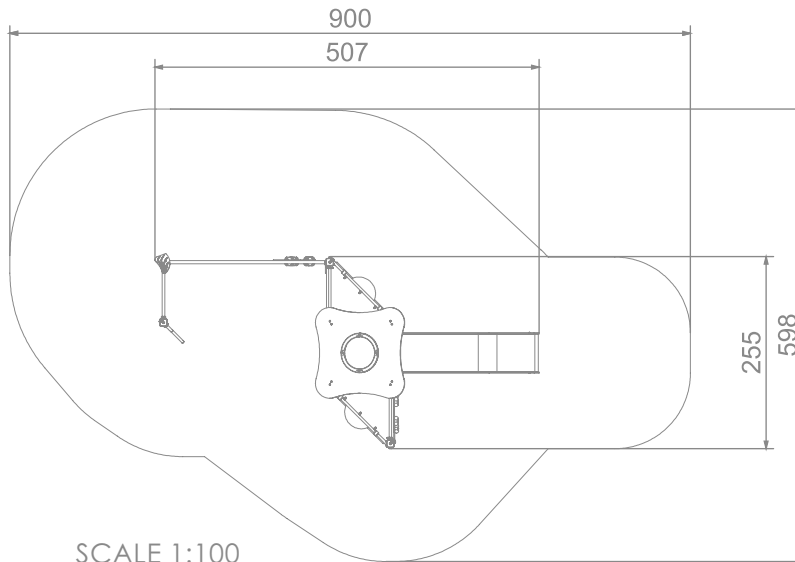
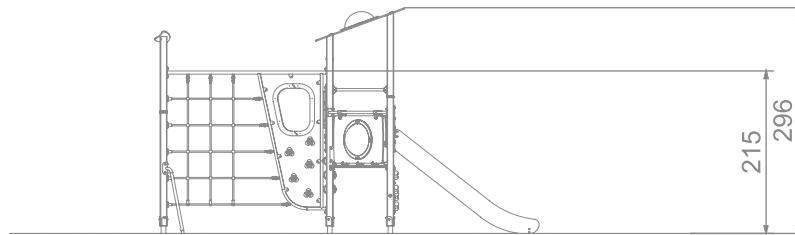
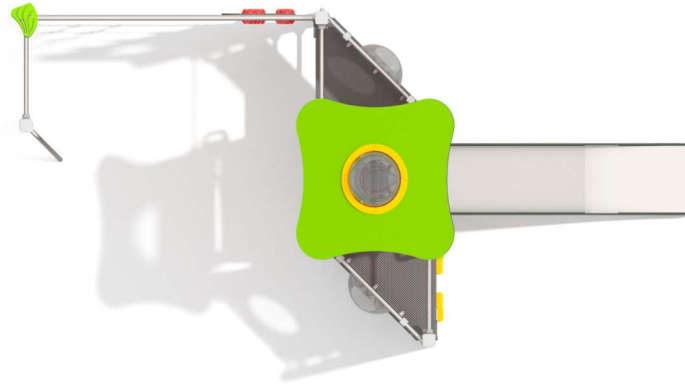
INFORMATION ABOUT THE PRODUCT

Dimensions	507 x 255 cm
Safety zone	900 x 598 cm
Safety zone area	37 m ²
Overall height	296 cm
Free fall height	215 cm
Amount of users	10
Product complies with EN 1176-1:2017-12	YES
Availability of spare parts	YES
Age range	3-12
<small>According to EN 1176-1:2017 norm, the product requires applying a safety surface according to the product's free fall height.</small>	



8903

ECO



SCALE 1:100

MATERIALS:

<p>SLIDES MADE OF STAINLESS STEEL AISI 304. METAL SHEET WITH A THICKNESS OF 2 MM FORMED IN A CNC TECHNIQUE.</p>	<p>HEMISPHERIC WINDOW WITH A DIAMETER OF 400 MM.</p>	<p>ANTI-SLIP ANTHRACITE 10MM HPL PLATFORM PLATE WITH A VERY HIGH RESISTANCE TO WEATHER CONDITIONS AND ATTRITION.</p>	<p>THE TIC TAC TOE GAME IS MADE OF POLYETHYLENE ROTATIONALLY MOLDED WITH SYMBOLS ON THE FORM.</p>	<p>SOLID AND ESTHETIC ROPE CONNECTORS MADE OF INJECTION MOLDED POLYAMIDE</p>
				
<p>SOFT CONIFER WOOD CORELESS, GLUED IN LAYERS WITH POLYURETHANE GLUES, TOTALLY RESISTANT TO WATER.</p>	<p>WOODEN POSTS ANCHORED TO THE GROUND WITH POWDER GALVANIZED AND POWDER COATED STEEL ANCHORS.</p>	<p>CONNECTING ELEMENTS LIKE SCREWS, NUTS, WASHERS MADE OF STAINLESS STEEL.</p>	<p>POLYPROPYLENE ROPES PP-MULTISPLIT TYPE WITH A STEEL CORE AND A DIAMETER OF 16 MM.</p>	<p>PLATES OF THE WALLS MADE OF COLOURFUL TRIPLE LAYERED 15 MM HDPE POLYETHYLENE, IN THE HIGHEST QUALITY, TOTALLY DAMP-PROOF.</p>
				