

ECO

8026



SOCIALIZING



SLIDING

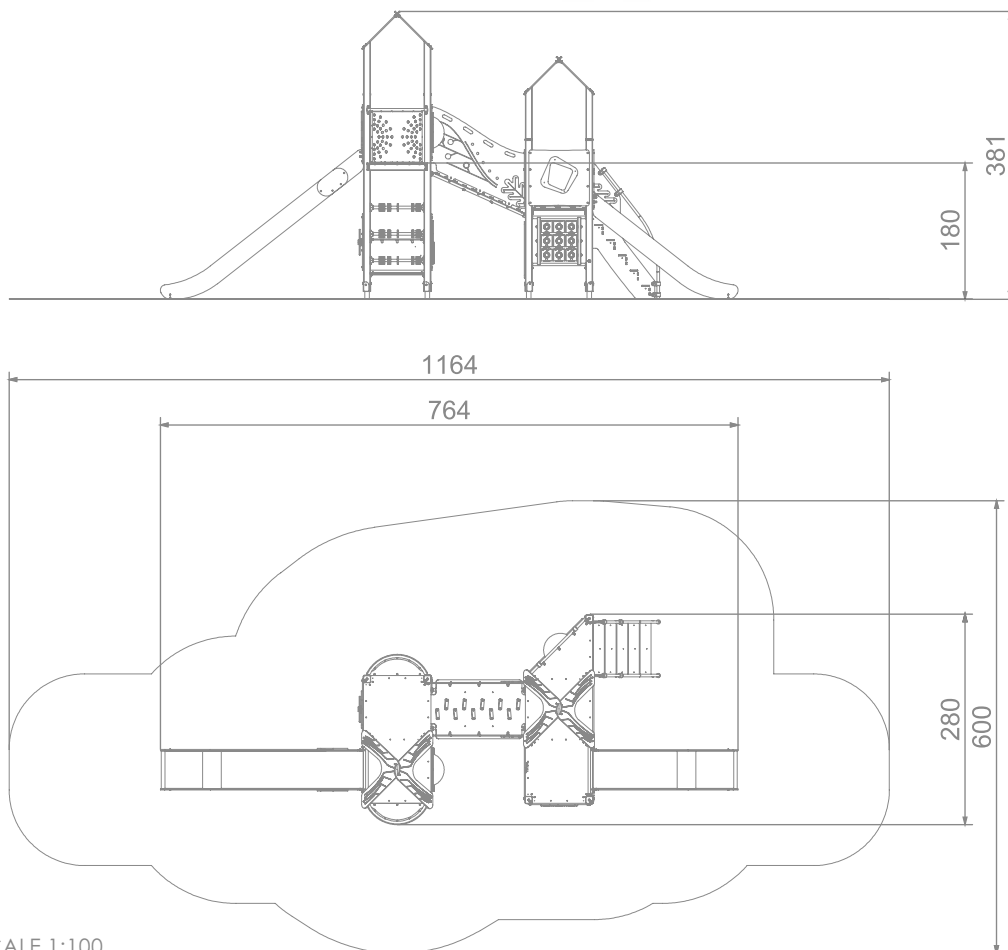
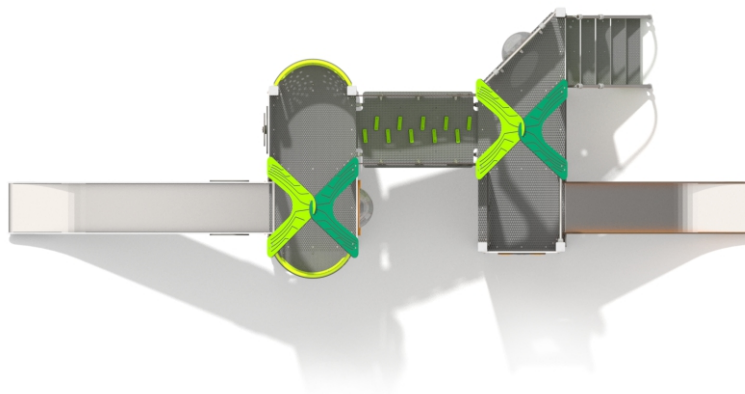


INFORMATION ABOUT THE PRODUCT

Dimensions	280 x 764 cm
Safety zone	600 x 1164 cm
Safety zone area	49 m ²
Overall height	381 cm
Free fall height	180 cm
Amount of users	25
Product complies with EN 1176-1:2017	YES
Availability of spare parts	YES
Age range	3-12
<p>According to EN 1176-1:2017 norm, the product requires applying a safety surface according to the product's free fall height.</p>	






8026



SCALE 1:100

MATERIALS:

<p>SOFT CONIFER WOOD CORELESS, GLUED IN LAYERS WITH POLYURETHANE GLUES, TOTALLY RESISTANT TO WATER.</p>	<p>WOODEN POSTS ANCHORED TO THE GROUND WITH POWDER GALVANIZED AND POWDER COATED STEEL ANCHORS.</p>	<p>PATENTED SYSTEM OF CONNECTORS AND CLAMPS MADE OF STRONG ALUMINIUM ALLOY.</p>	
			
<p>ANTI-SLIP ANTHRACITE 10MM HPL PLATFORM PLATE WITH A VERY HIGH RESISTANCE TO WEATHER CONDITIONS AND ATTRITION.</p>	<p>SLIDES MADE OF STAINLESS STEEL AISI 304. METAL SHEET WITH A THICKNESS OF 2 MM FORMED IN A CNC TECHNIQUE.</p>	<p>SYSTEM OF CONNECTORS AND CLAMPS MADE OF STRONG ALUMINIUM ALLOY.</p>	<p>PLATES OF THE WALLS MADE OF COLOURFUL TRIPLE LAYERED 15 MM HDPE POLYETHYLENE, IN THE HIGHEST QUALITY, TOTALLY DAMP-PROOF.</p>
