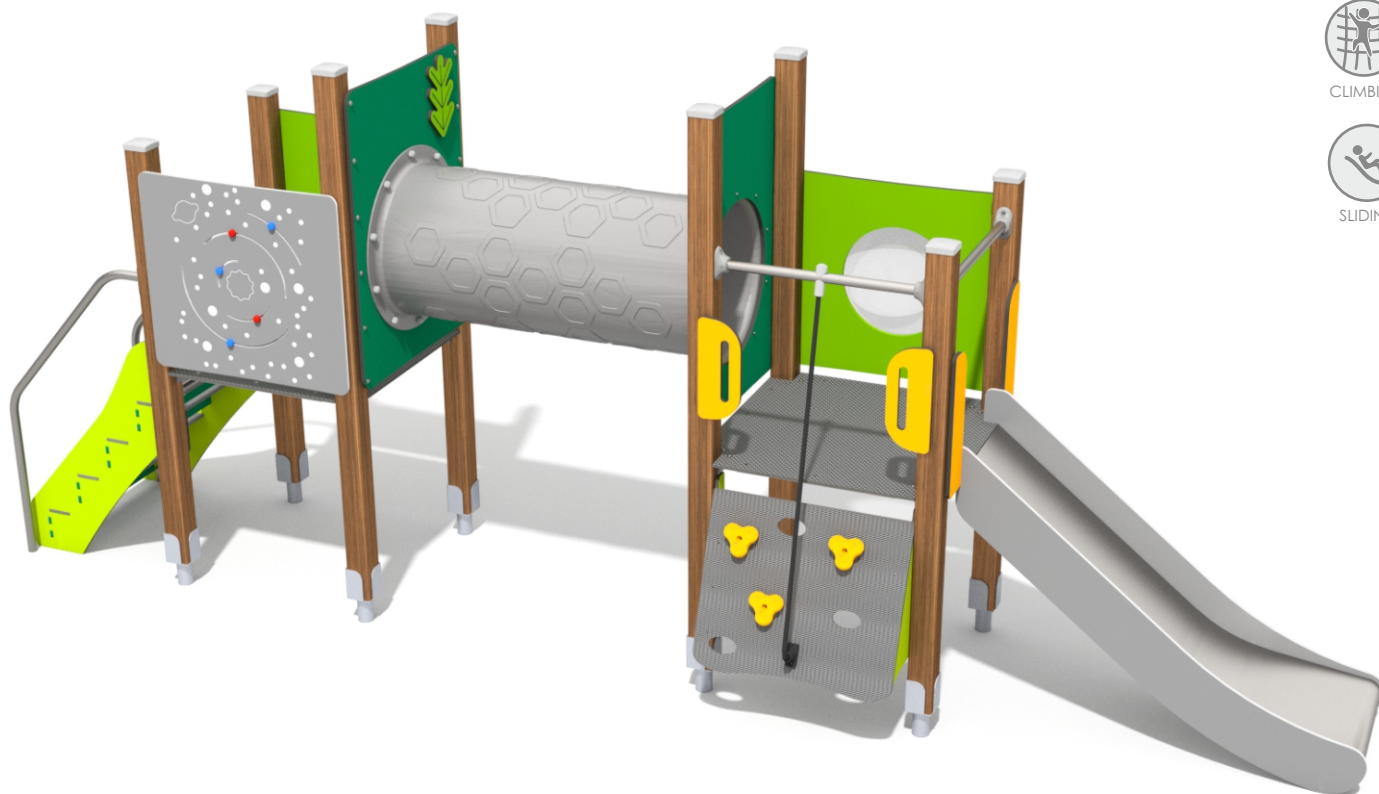


8068

ECO



SOCIALIZING



CLIMBING

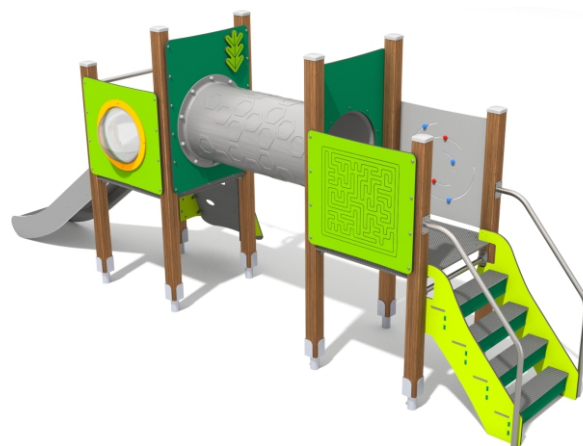


SLIDING

INFORMATION ABOUT THE PRODUCT

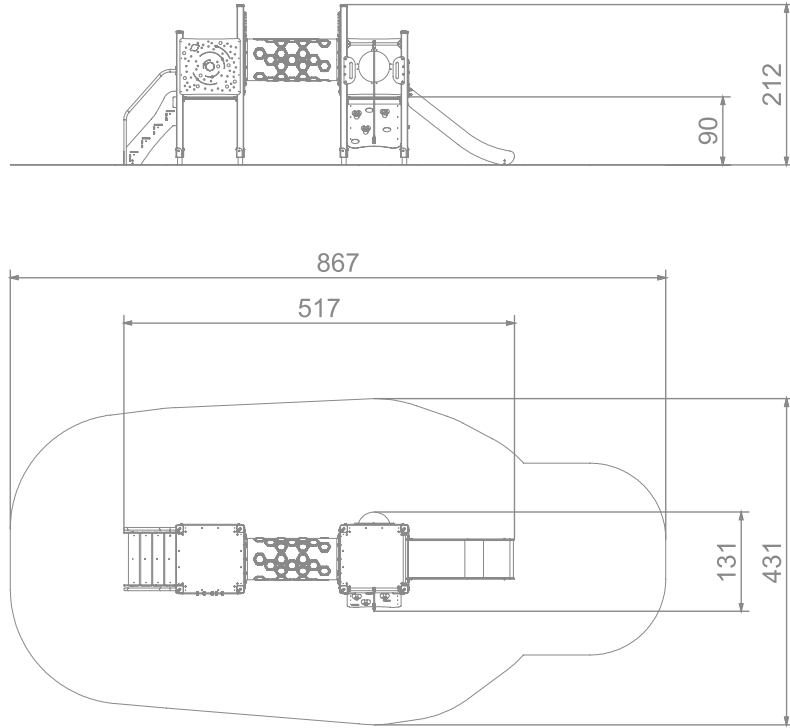
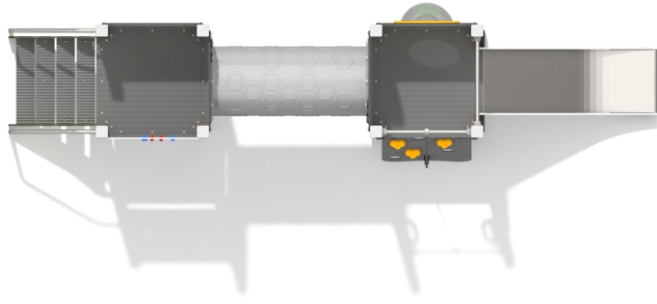
Dimensions	517 x 131 cm
Safety zone	867 x 431 cm
Safety zone area	31 m ²
Overall height	212 cm
Free fall height	90 cm
Amount of users	10
Product complies with EN 1176-1:2017	YES
Availability of spare parts	YES
Age range	3-12

According to EN 1176-1:2017 norm, the product requires applying a safety surface according to the product's free fall height.







8068

ECO



SCALE 1:100

MATERIALS:

<p>SOFT CONIFER WOOD CORELESS, GLUED IN LAYERS WITH POLYURETHANE GLUES, TOTALLY RESISTANT TO WATER.</p>	<p>WOODEN POSTS ANCHORED TO THE GROUND WITH POWDER GALVANIZED AND POWDER COATED STEEL ANCHORS.</p>	<p>SLIDES MADE OF STAINLESS STEEL AISI 304. METAL SHEET WITH A THICKNESS OF 2 MM FORMED IN A CNC TECHNIQUE.</p>	<p>SYSTEM OF CONNECTORS AND CLAMPS MADE OF STRONG ALUMINIUM ALLOY.</p>
			
<p>HEMISPHERIC WINDOW WITH A DIAMETER OF 400 MM.</p>	<p>CLIMBING ROCKS MADE OF CHIPPINGS AND COLOURFUL POLYESTER RESIN.</p>	<p>POLYPROPYLENE ROPES PP-MULTISPLIT TYPE WITH A STEEL CORE AND A DIAMETER OF 16 MM.</p>	<p>TUBE MADE OF LDPE POLYETHYLENE ROTATIONALLY MOLDED WITH THE INNER DIAMETER OF 53.3 CM AND THE LENGTH OF 125 CM.</p>
