

00305

SMART



SOCIALIZING



SENSORIAL
INTEGRATION



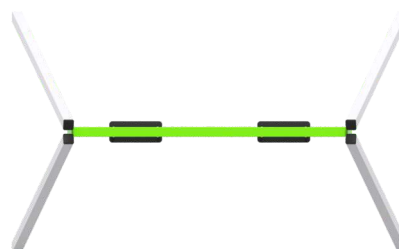
SWINGING



INFORMATION ABOUT THE PRODUCT

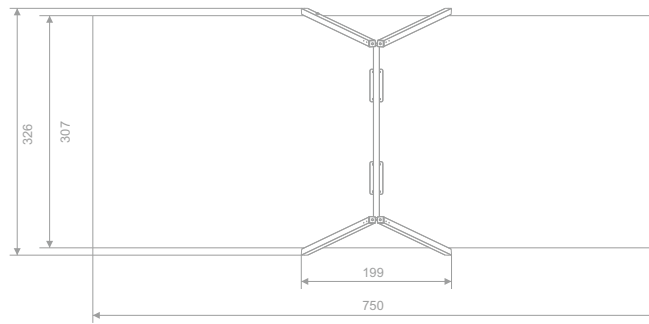
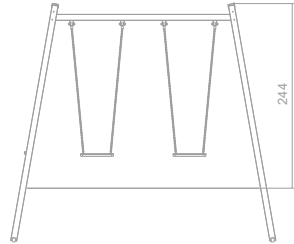
Dimensions	326 x 199 cm
Safety zone	307 x 750 cm
Safety zone area	23 m ²
Overall height	244 cm
Free fall height	128 cm
Amount of users	2
Product complies with EN 1176-1:2017-12	YES
Availability of spare parts	YES
Age range	3-14

According to EN 1176-1:2017-12 norm, the product requires applying a safety surface according to the product's free fall height.





00305

SMART



SCALE 1:100

MATERIALS:

SOLID CONSTRUCTION MADE OF BLACK STEEL. CLEANED THE SANDBLASTING PROCESS	THE SEATS ARE MADE WITH AN ALUMINUM CONSTRUCTION COVERED WITH A SOFT EPDM RUBBER	SAFE PIPE PLUGS MADE OF INJECTION MOLDED POLYAMID
		

OPTIONAL:

SAFETY SEAT MADE OF ALUMINUM AND STAINLESS STEEL COVERED WITH SOFT POLYURETHANE	BACK SUPPORT OF THE SEAT WITH STEEL CONSTRUCTION COVERED WITH SOFT POLYURETHANE
