

00808

SMART



SLIDING



SOCIALIZING



SENSORIAL
INTEGRATION



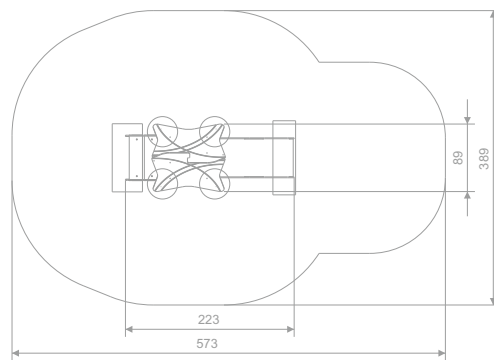
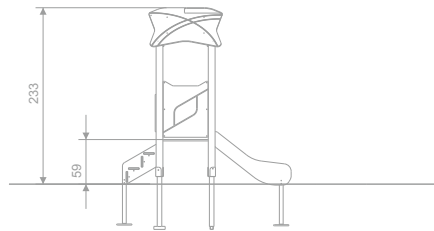
INFORMATION ABOUT THE PRODUCT

Dimensions	89 x 223 cm
Safety zone	389 x 573 cm
Safety zone area	17,7 m ²
Overall height	233 cm
Free fall height	59 cm
Amount of users	4
Product complies with EN 1176-1:2017-12	YES
Availability of spare parts	YES
Age range	1-8

According to EN 1176-1:2017-12 norm, the product requires applying a safety surface according to the product's free fall height.

00808

SMART



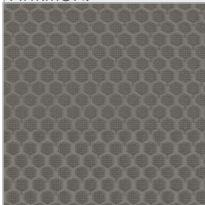
SCALE 1:100

MATERIALS:

PLATES OF THE WALLS
MADE OF 12 MM HDPE IN
THE HIGHEST QUALITY



ANTI-SLIP ANTHRACITE
10MM HPL PLATFORM
PLATE WITH A VERY HIGH
RESISTANCE TO WEATHER
CONDITIONS AND
ATTRITION.



SOLID CONSTRUCTION MADE
OF WOOD, 90x90 MM



SLIDES MADE OF STAINLESS
STEEL AISI 304, SIDE PANELS
MADE OF HDPE
POLYETHYLENE

