

00115

SMART



SLIDING



SOCIALIZING

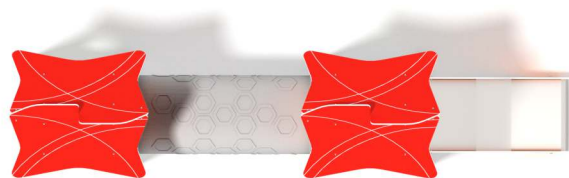


CLIMBING

INFORMATION ABOUT THE PRODUCT

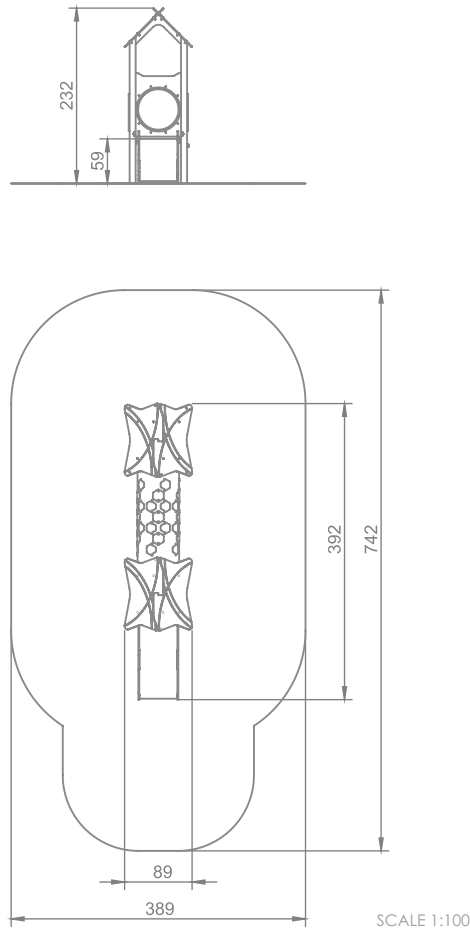
Dimensions	89 x 392 cm
Safety zone	389 x 742 cm
Safety zone area	24,7 m ²
Overall height	232 cm
Free fall height	59 cm
Amount of users	8
Product complies with EN 1176-1:2017-12	YES
Availability of spare parts	YES
Age range	1-8

According to EN 1176-1:2017-12 norm, the product requires applying a safety surface according to the product's free fall height.


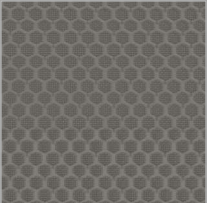
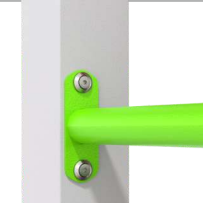


00115

SMART



MATERIALS:

PLATES OF THE WALLS MADE OF 12 MM HDPE IN THE HIGHEST QUALITY	ANTI-SLIP ANTHRACITE 10MM HPL PLATFORM PLATE WITH A VERY HIGH RESISTANCE TO WEATHER CONDITIONS AND ATTRITION.	SOLID CONSTRUCTION MADE OF BLACK STEEL, CLEANED THE SANDBLASTING PROCESS
		
SLIDES MADE OF STAINLESS STEEL AISI 304, SIDE PANELS MADE OF HDPE POLYETHYLENE	TUBE MADE OF LDPE POLYETHYLENE ROTATIONALLY MOLDED WITH THE INNER DIAMETER OF 53,3 CM AND THE LENGTH OF 125 CM.	
