

# 00302

## SMART



SOCIALIZING



SENSORIAL INTEGRATION



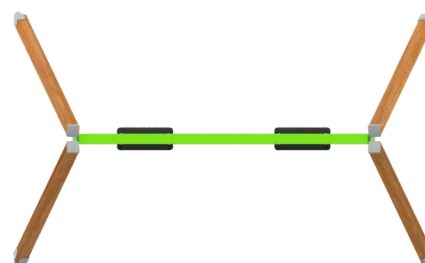
SWINGING



### INFORMATION ABOUT THE PRODUCT

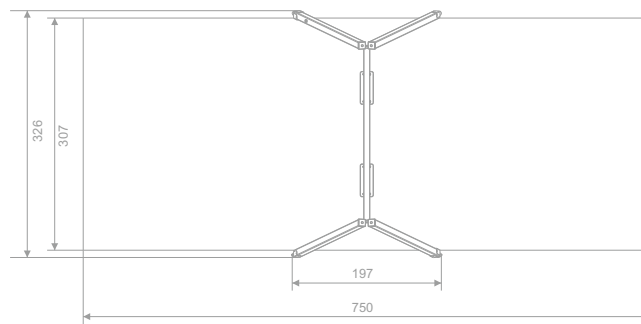
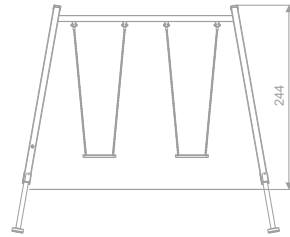
Dimensions	326 x 197 cm
Safety zone	307 x 750 cm
Safety zone area	23 m <sup>2</sup>
Overall height	244 cm
Free fall height	128 cm
Amount of users	2
Product complies with EN 1176-1:2017-12	YES
Availability of spare parts	YES
Age range	3-14

According to EN 1176-1:2017-12 norm, the product requires applying a safety surface according to the product's free fall height.



# 00302

# SMART



SCALE 1:100

## MATERIALS:

SOLID CONSTRUCTION MADE OF WOOD, 90x90 MM



THE SEATS ARE MADE WITH AN ALUMINUM CONSTRUCTION COVERED WITH A SOFT EPDM RUBBER



SAFE PIPE PLUGS MADE OF INJECTION MOLDED POLYAMID



## OPTIONAL:

SAFETY SEAT MADE OF ALUMINUM AND STAINLESS STEEL COVERED WITH SOFT POLYURETHANE



BACK SUPPORT OF THE SEAT WITH STEEL CONSTRUCTION COVERED WITH SOFT POLYURETHANE

