

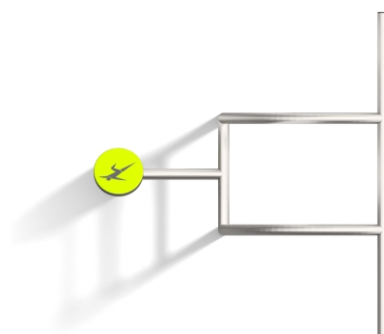
# 7806-INOX

FITNESS



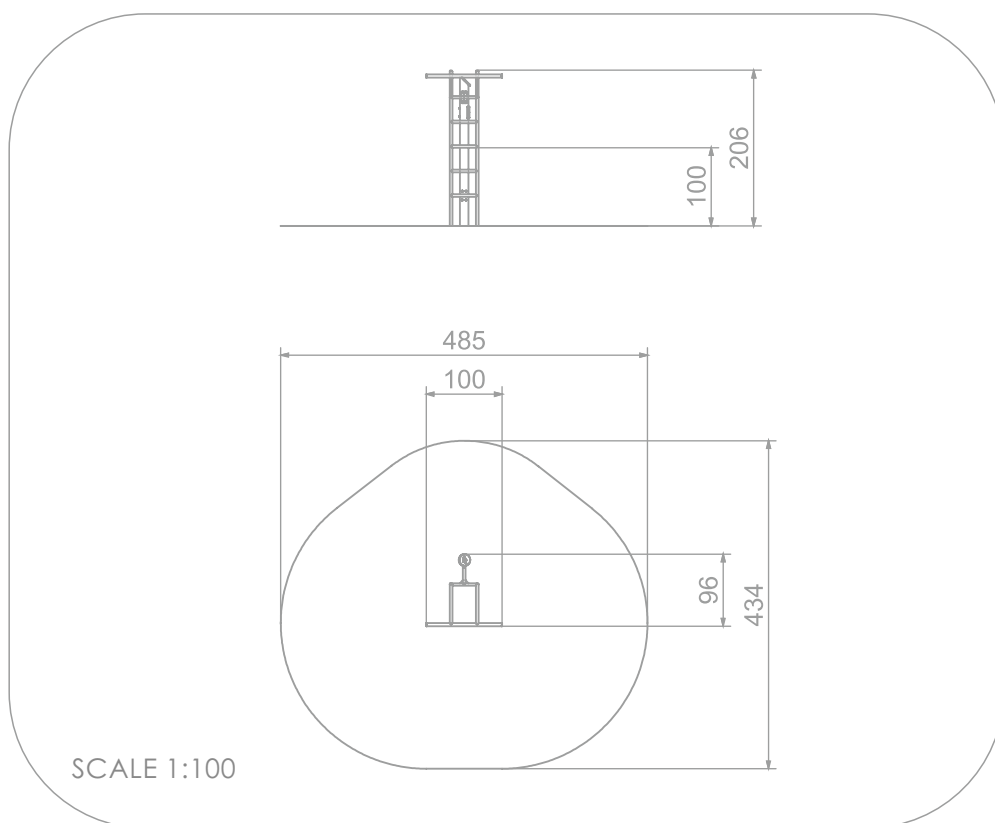
## INFORMATION ABOUT THE PRODUCT

Dimensions	96 x 100 cm
Safety zone	434 x 485 cm
Safety zone area	17 m <sup>2</sup>
Overall height	206 cm
Free fall height	100 cm
Product complies with EN 1176-1:2017-12	YES
Availability of spare parts	YES



# 7806-INOX

FITNESS



## MATERIALS:

SOLID CONSTRUCTION  
MADE OF STAINLESS STEEL  
ASISI 304 TOTALLY

PLATES MADE OF  
COLOURFUL TRIPLE LAYERED  
POLYETHYLENE HDPE 15 MM

PLATE MADE OF ANODIZED  
ALUMINIUM PLACED OF A  
HANDLE MADE OF  
POLYAMIDE

