

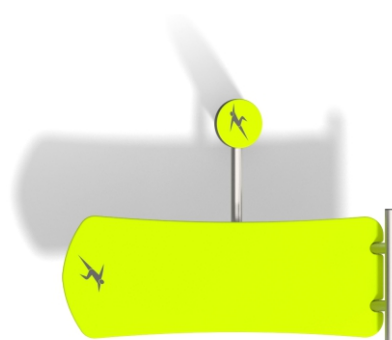
# 7807-INOX

FITNESS



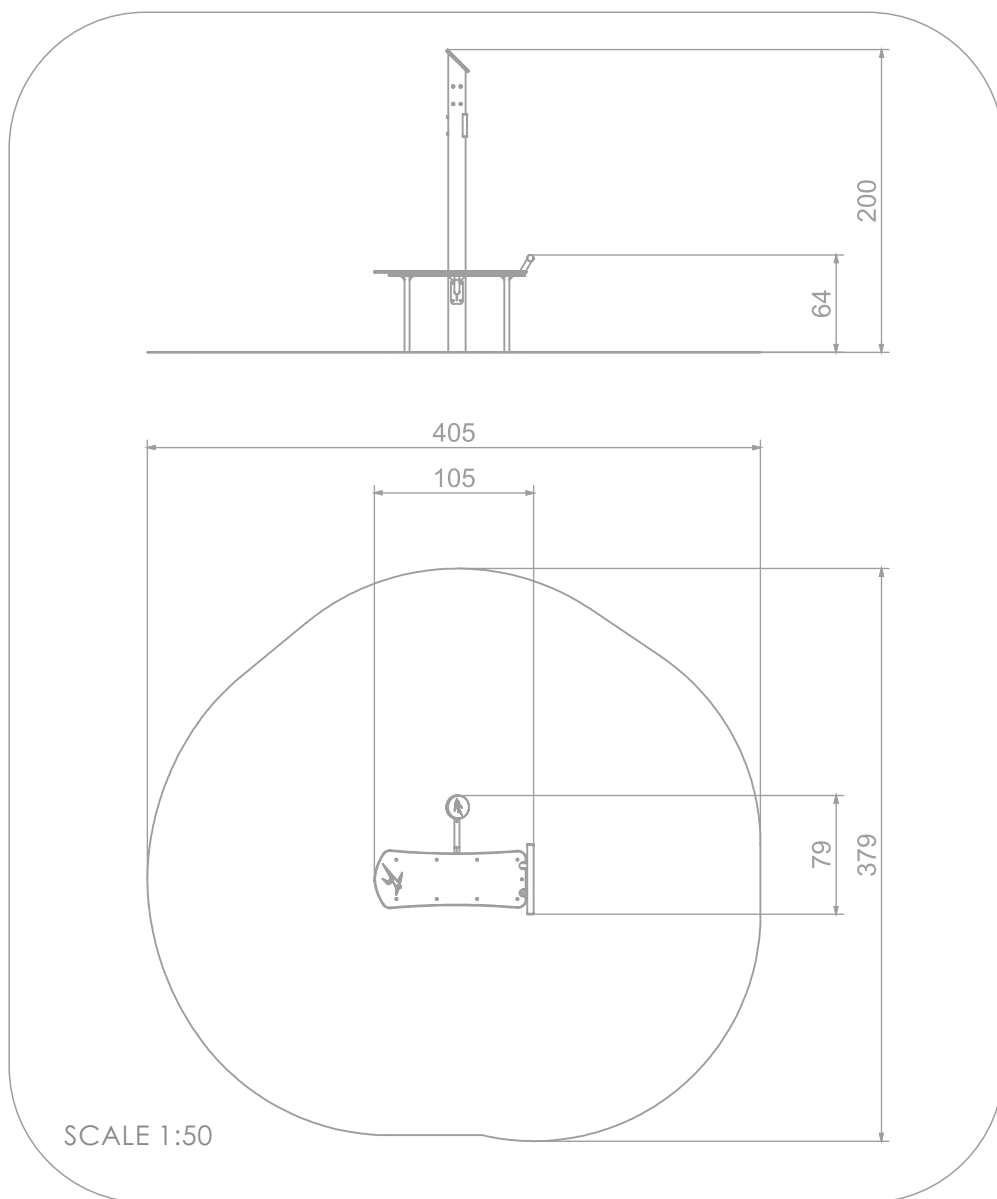
## INFORMATION ABOUT THE PRODUCT

Dimensions	79 x 105 cm
Safety zone	379 x 405 cm
Safety zone area	13 m <sup>2</sup>
Overall height	200 cm
Free fall height	64 cm
Product complies with EN 1176-1:2017-12	YES
Availability of spare parts	YES



# 7807-INOX

FITNESS



## MATERIALS:

SOLID CONSTRUCTION  
MADE OF BLACK STEEL  
S235JR, CLEANED IN THE  
SANDBLASTING PROCESS

PLATES MADE OF  
COLOURFUL TRIPLE LAYERED  
POLYETHYLENE HDPE 15 MM

PLATE MADE OF ANODIZED  
ALUMINIUM PLACED OF A  
HANDLE MADE OF  
POLYAMIDE

BACK SUPPORT AND SEATS  
MADE OF COLOURFUL  
TRIPLE LAYERED  
POLYETHYLENE HDPE 15 MM

