

7809-INOX

FITNESS

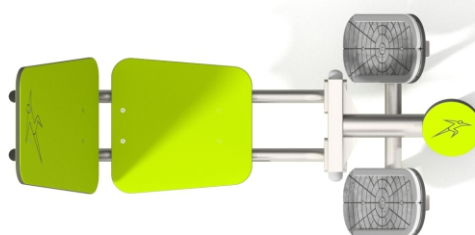


SOCIALIZING



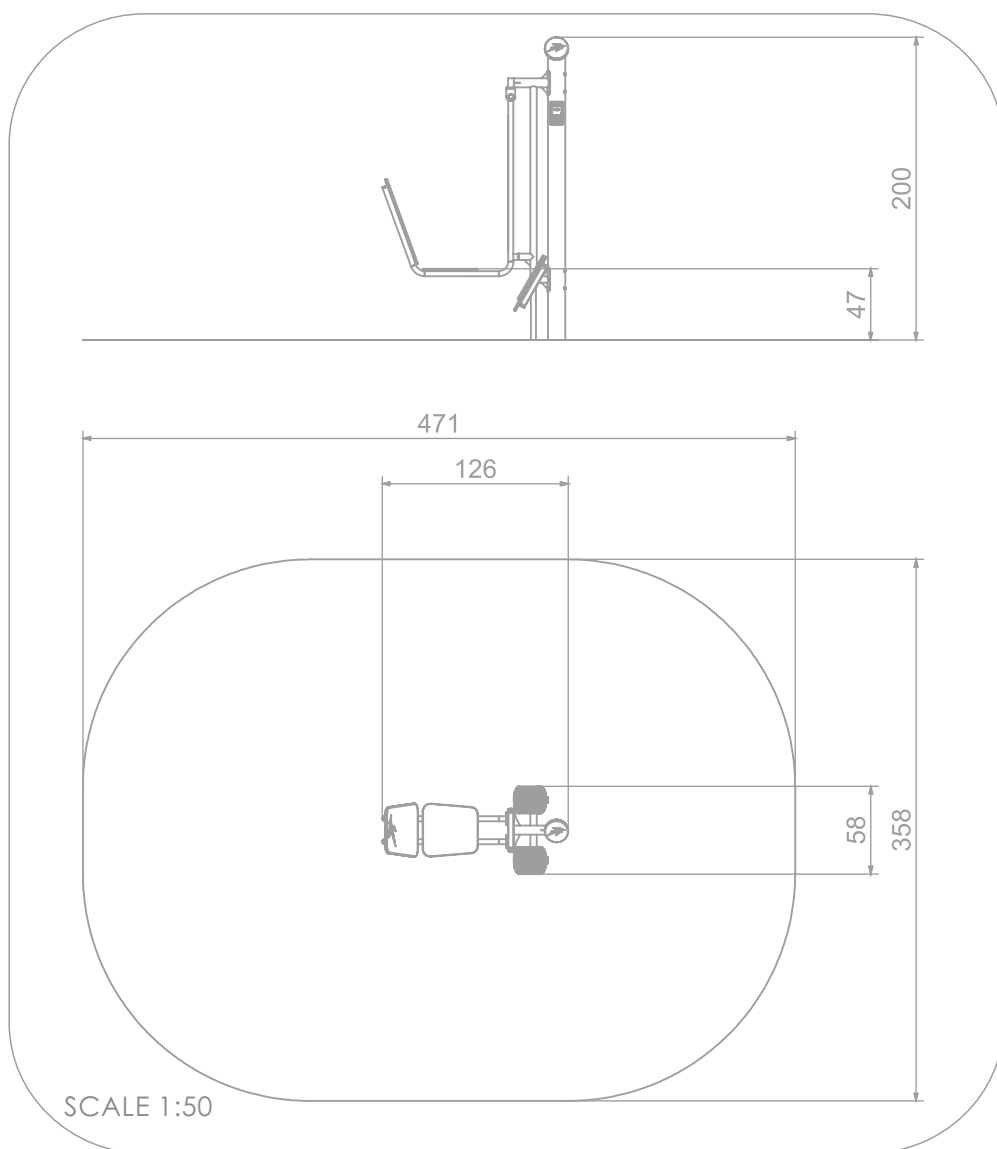
INFORMATION ABOUT THE PRODUCT

Dimensions	126 x 58 cm
Safety zone	471 x 358 cm
Safety zone area	15 m ²
Overall height	200 cm
Free fall height	47 cm
Product complies with EN 1176-1:2017-12	YES
Availability of spare parts	YES



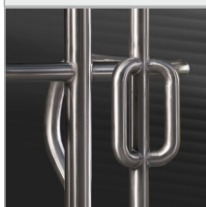
7809-INOX

FITNESS



MATERIALS:

SOLID CONSTRUCTION MADE OF BLACK STEEL S235JR, CLEANED IN THE SANDBLASTING PROCESS



PLATES MADE OF COLOURFUL TRIPLE LAYERED POLYETHYLENE HDPE 15 MM



PLATE MADE OF ANODIZED ALUMINIUM PLACED OF A HANDLE MADE OF POLYAMIDE



BACK SUPPORT AND SEATS MADE OF COLOURFUL TRIPLE LAYERED POLYETHYLENE HDPE 15 MM



ANTI-SLIP PLATE MADE OF 13 MM HPL

