

7813-INOX

FITNESS

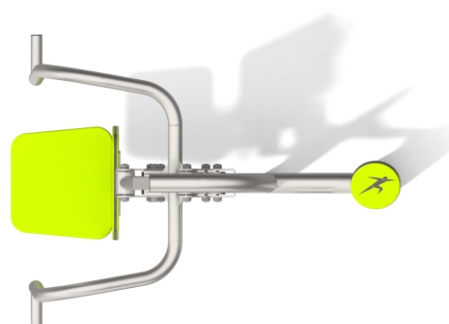


SOCIALIZING



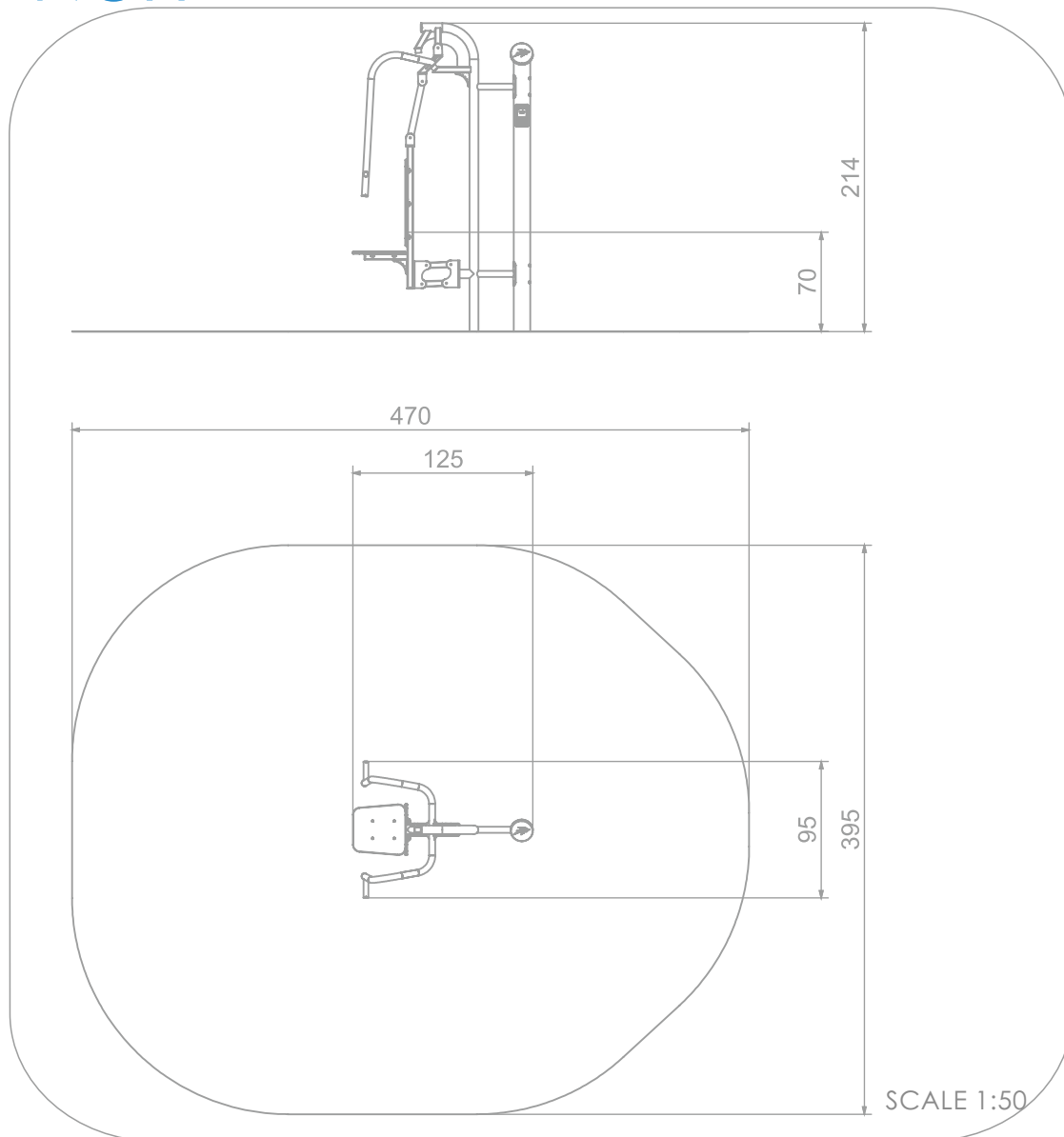
INFORMATION ABOUT THE PRODUCT

Dimensions	125 x 95 cm
Safety zone	470 x 395 cm
Safety zone area	16 m ²
Overall height	214 cm
Free fall height	70 cm
Product complies with EN 1176-1:2017-12	YES
Availability of spare parts	YES



7813-INOX

FITNESS



MATERIALS:

SOLID CONSTRUCTION
MADE OF BLACK STEEL
S235JR, CLEANED IN THE
SANDBLASTING PROCESS



PLATES MADE OF
COLOURFUL TRIPLE LAYERED
POLYETHYLENE HDPE 15 MM



SELF-ALIGNING ROLLER
BEARINGS



PLATE MADE OF ANODIZED
ALUMINIUM PLACED OF
A HANDLE MADE OF
POLYAMIDE



BACK SUPPORT AND SEATS
MADE OF COLOURFUL
TRIPLE LAYERED
POLYETHYLENE HDPE 15 MM



SELF-ALIGNING ROLLER
BEARINGS

