

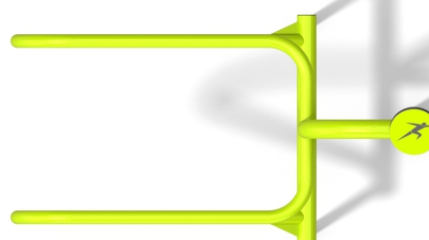
7814

FITNESS



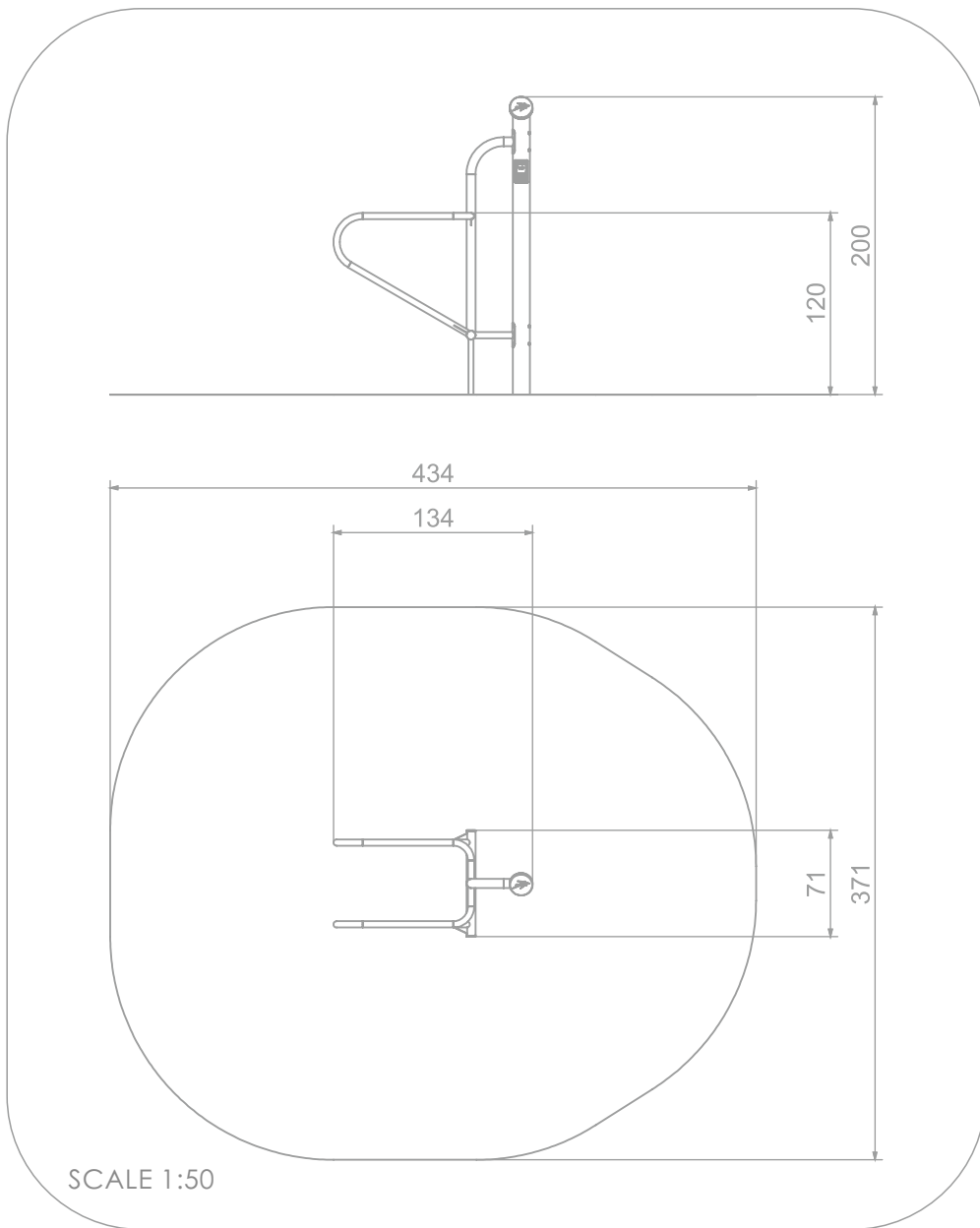
INFORMATION ABOUT THE PRODUCT

Dimensions	134 x 71 cm
Safety zone	434 x 371 cm
Safety zone area	14 m ²
Overall height	200 cm
Free fall height	120 cm
Product complies with EN 1176-1:2017-12	YES
Availability of spare parts	YES



7814

FITNESS



MATERIALS:

SOLID CONSTRUCTION
MADE OF BLACK STEEL
S235JR, CLEANED IN THE
SANDBLASTING PROCESS

PLATES MADE OF
COLOURFUL TRIPLE LAYERED
POLYETHYLENE HDPE 15 MM

PLATE MADE OF ANODIZED
ALUMINIUM PLACED OF A
HANDLE MADE OF
POLYAMIDE

