

# 7815-INOX

FITNESS



SOCIALIZING



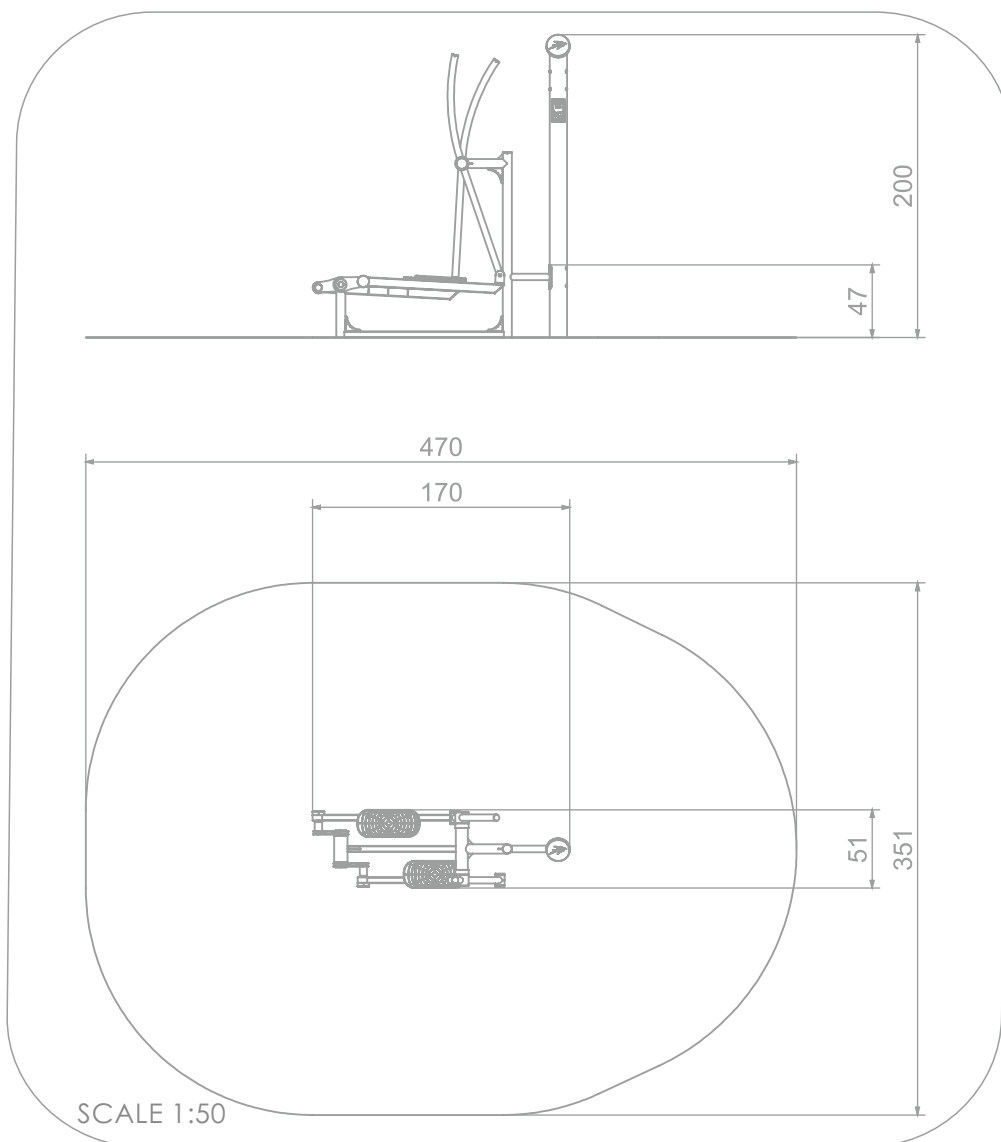
## INFORMATION ABOUT THE PRODUCT

Dimensions	51 x 170 cm
Safety zone	470 x 351 cm
Safety zone area	14 m <sup>2</sup>
Overall height	200 cm
Free fall height	47 cm
Product complies with EN 1176-1:2017-12	YES
Availability of spare parts	YES



# 7815-INOX

FITNESS



## MATERIALS:

SOLID CONSTRUCTION  
MADE OF BLACK STEEL  
S235JR, CLEANED IN THE  
SANDBLASTING PROCESS



PLATES MADE OF  
COLOURFUL TRIPLE LAYERED  
POLYETHYLENE HDPE 15 MM



ANTI-SLIP PLATE MADE OF  
13 MM HPL



SELF-ALIGNING ROLLER  
BEARINGS



PLATE MADE OF ANODIZED  
ALUMINIUM PLACED OF  
A HANDLE MADE OF  
POLYAMIDE

