

7816-INOX

FITNESS

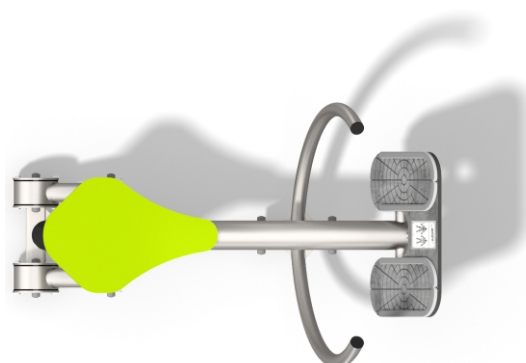


SOCIALIZING



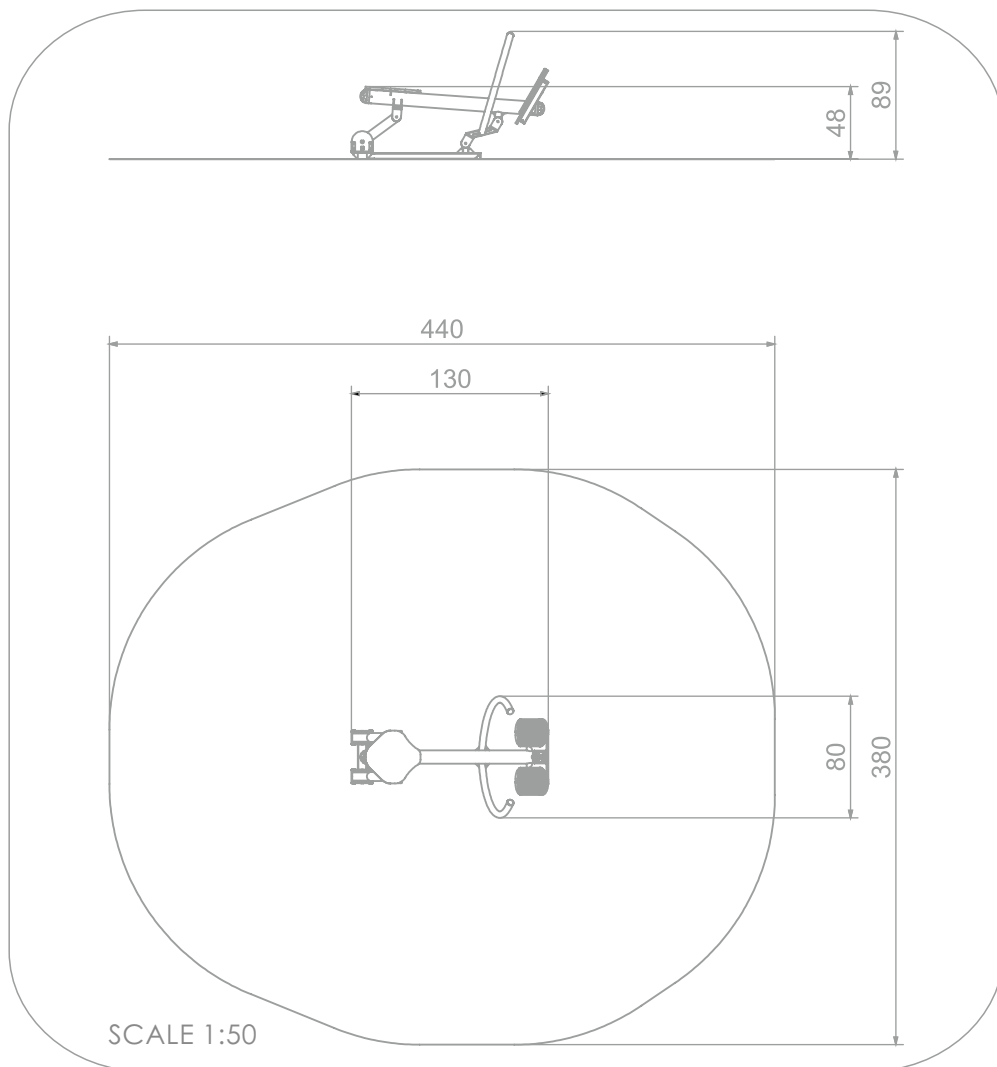
INFORMATION ABOUT THE PRODUCT

Dimensions	80 x 130 cm
Safety zone	380 x 440 cm
Safety zone area	14 m ²
Overall height	89 cm
Free fall height	48 cm
Product complies with EN 1176-1:2017-12	YES
Availability of spare parts	YES



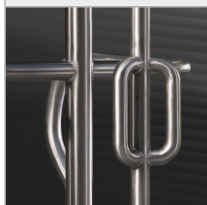
7816-INOX

FITNESS



MATERIALS:

SOLID CONSTRUCTION MADE OF BLACK STEEL S235JR, CLEANED IN THE SANDBLASTING PROCESS



ANTI-SLIP PLATE MADE OF 13 MM HPL



PLATES MADE OF COLOURFUL TRIPLE LAYERED POLYETHYLENE HDPE 15 MM



SELF-ALIGNING ROLLER BEARINGS



PLATE MADE OF ANODIZED ALUMINIUM PLACED OF A HANDLE MADE OF POLYAMIDE



POST ENDINGS FINISHED WITH SOFT EPDM RUBBER



BACK SUPPORT AND SEATS MADE OF COLOURFUL TRIPLE LAYERED POLYETHYLENE HDPE 15 MM

