

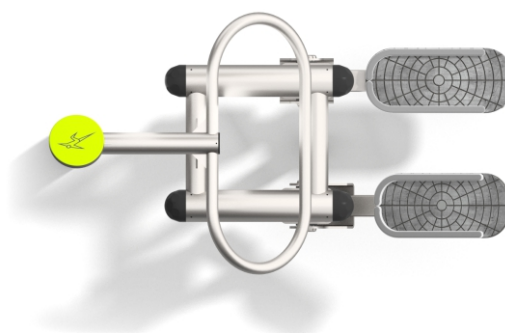
# 7817-INOX

FITNESS



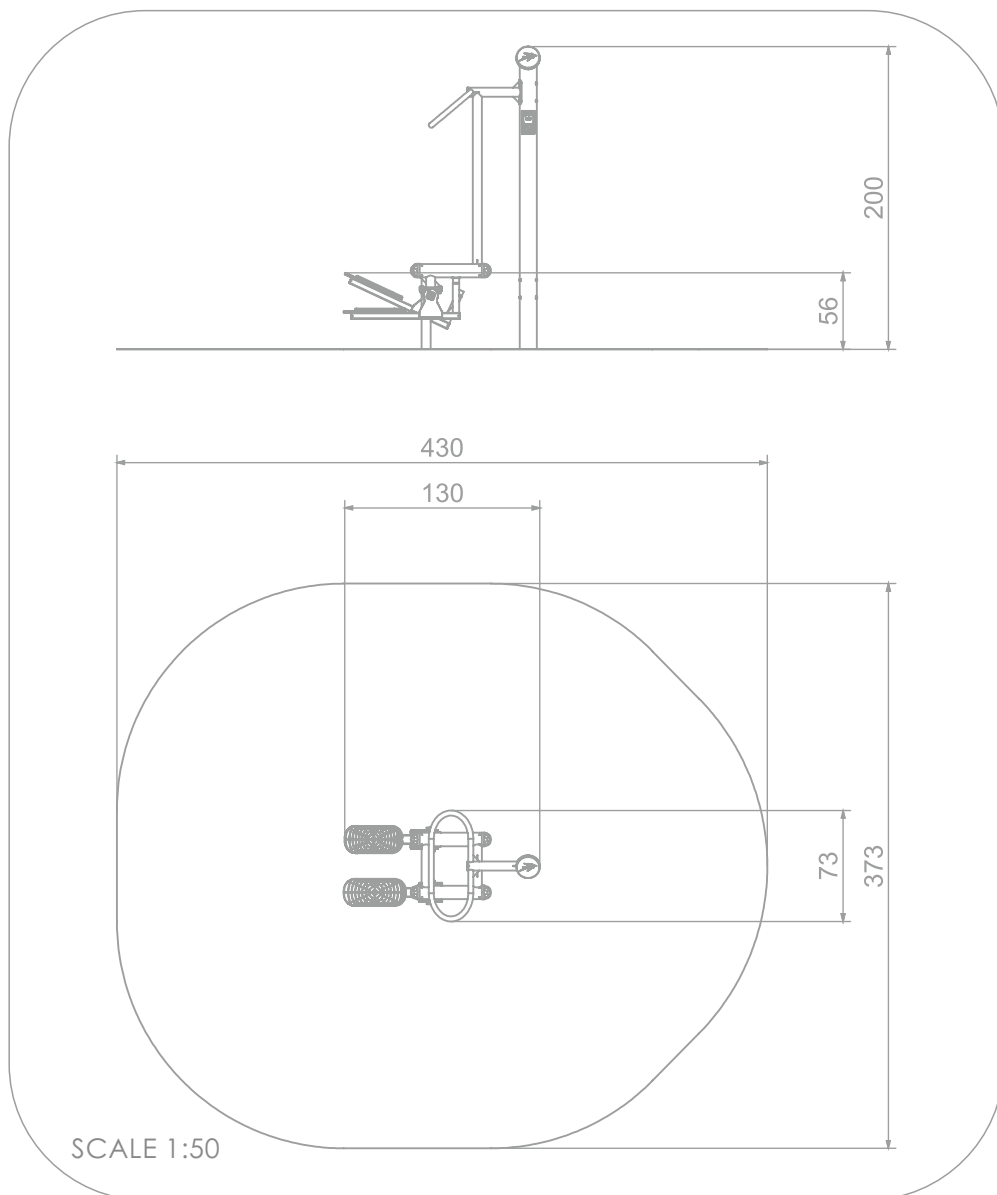
## INFORMATION ABOUT THE PRODUCT

Dimensions	73 x 130 cm
Safety zone	373 x 430 cm
Safety zone area	14 m <sup>2</sup>
Overall height	200 cm
Free fall height	56 cm
Product complies with EN 1176-1:2017-12	YES
Availability of spare parts	YES






# 7817-INOX

FITNESS



## MATERIALS:

<p>SOLID CONSTRUCTION MADE OF BLACK STEEL S235JR, CLEANED IN THE SANDBLASTING PROCESS</p>	<p>PLATES MADE OF COLOURFUL TRIPLE LAYERED POLYETHYLENE HDPE 15 MM</p>	<p>PLATE MADE OF ANODIZED ALUMINIUM PLACED OF A HANDLE MADE OF POLYAMIDE</p>
		
<p>ANTI-SLIP PLATE MADE OF 13 MM HPL</p>	<p>SELF-ALIGNING ROLLER BEARINGS</p>	<p>POST ENDINGS FINISHED WITH SOFT EPDM RUBBER</p>
