

7818-INOX

FITNESS

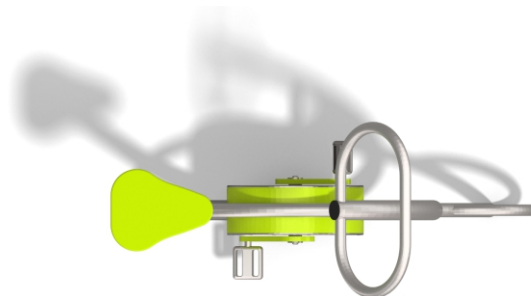


SOCIALIZING



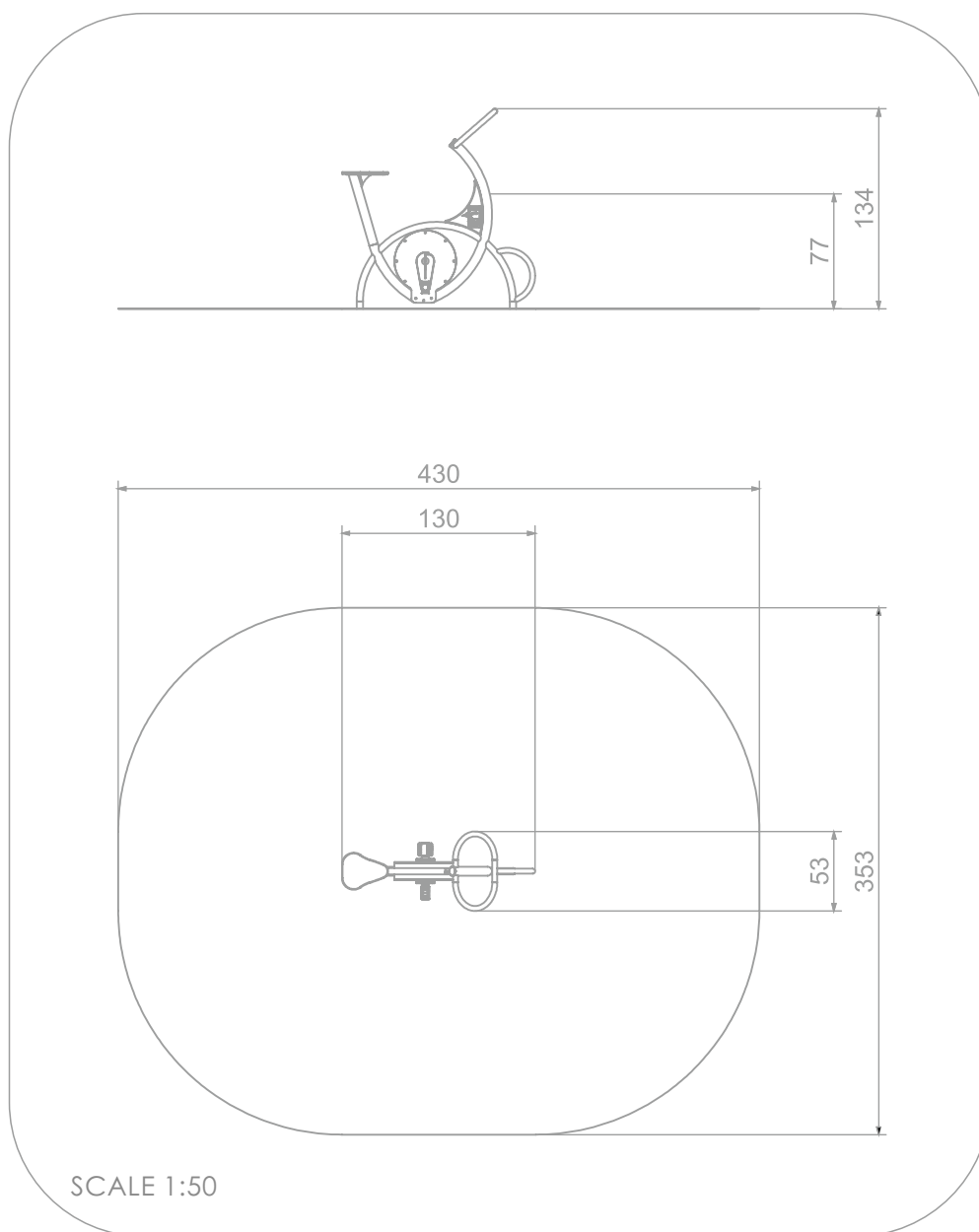
INFORMATION ABOUT THE PRODUCT

Dimensions	53 x 130 cm
Safety zone	353 x 430 cm
Safety zone area	14 m ²
Overall height	134 cm
Free fall height	77 cm
Product complies with EN 1176-1:2017-12	YES
Availability of spare parts	YES



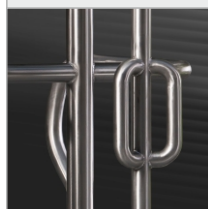
7818-INOX

FITNESS



MATERIALS:

SOLID CONSTRUCTION
MADE OF BLACK STEEL
S235JR, CLEANED IN THE
SANDBLASTING PROCESS



AIR BRAKE, SIDE PANELS
AND PEDALS MADE OF
STAINLESS STEEL



PLATE MADE OF ANODIZED
ALUMINIUM PLACED OF
A HANDLE MADE OF
POLYAMIDE



BACK SUPPORT AND SEATS
MADE OF COLOURFUL
TRIPLE LAYERED
POLYETHYLENE HDPE 15 MM

