

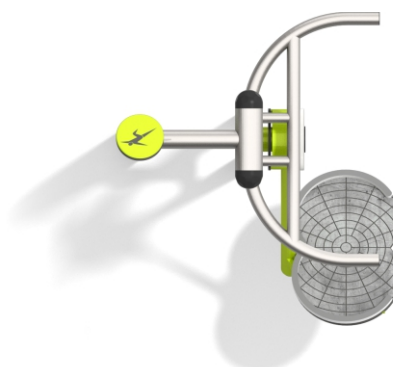
7802-INOX

FITNESS



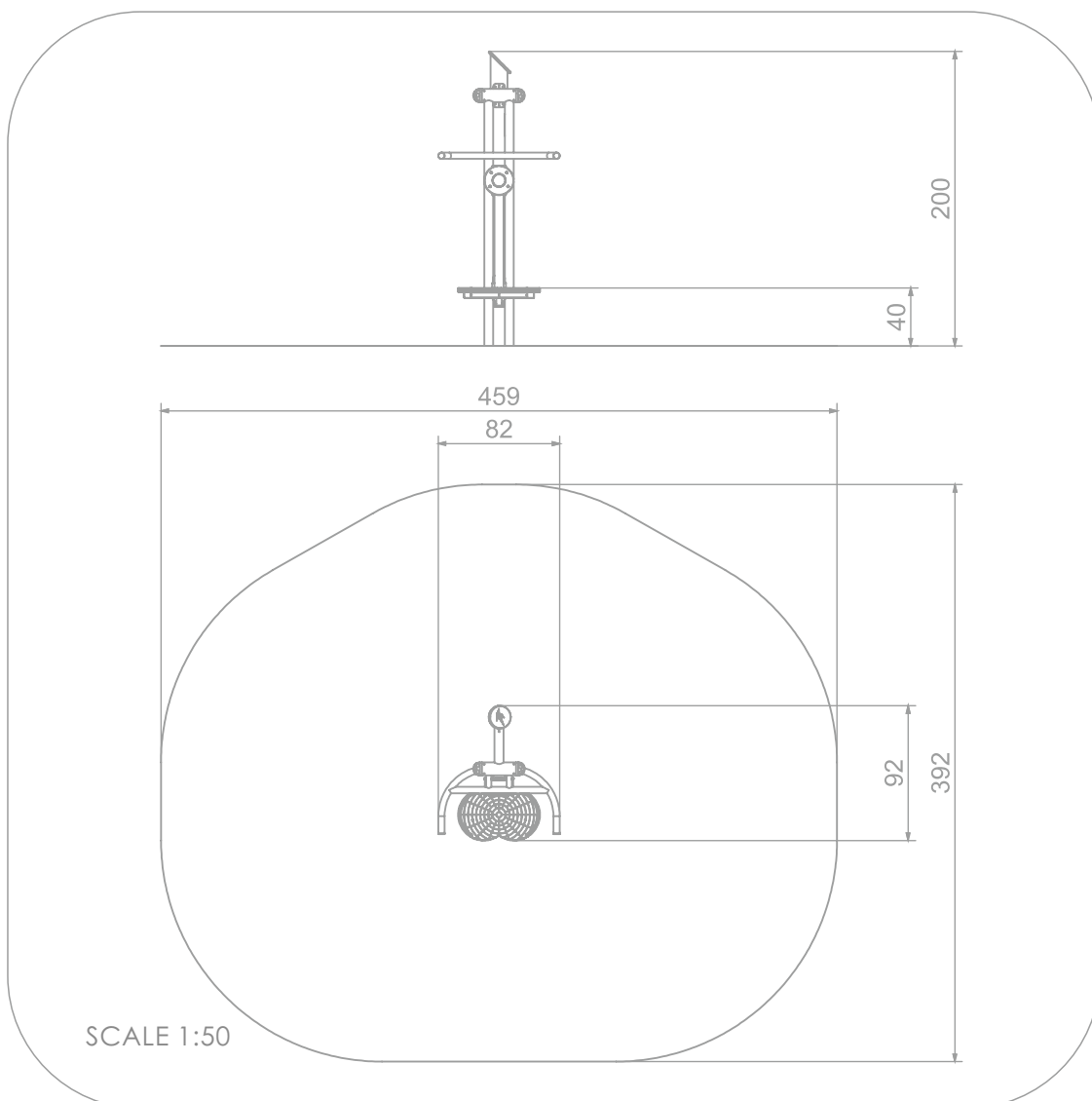
INFORMATION ABOUT THE PRODUCT

Dimensions	92 x 82 cm
Safety zone	392 x 459 cm
Safety zone area	15 m ²
Overall height	200 cm
Free fall height	40 cm
Product complies with EN 1176-1:2017-12	YES
Availability of spare parts	YES


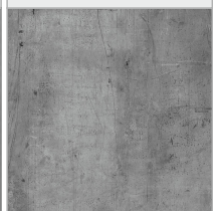



7802-INOX

FITNESS



MATERIALS:

<p>SOLID CONSTRUCTION MADE OF STAINLESS STEEL ASISI 304 TOTALLY</p>	<p>ANTI-SLIP PLATE IMADE OF 13 MM HPL</p>	<p>PLATES MADE OF COLOURFUL TRIPLE LAYERED POLYETHYLENE HDPE 15 MM</p>
		
<p>PLATE MADE OF ANODIZED ALUMINIUM PLACED OF A HANDLE MADE OF POLYAMIDE</p>	<p>POST ENDINGS FINISHED WITH SOFT EPDM RUBBER</p>	<p>SELF-ALIGNING ROLLER BEARINGS</p>
