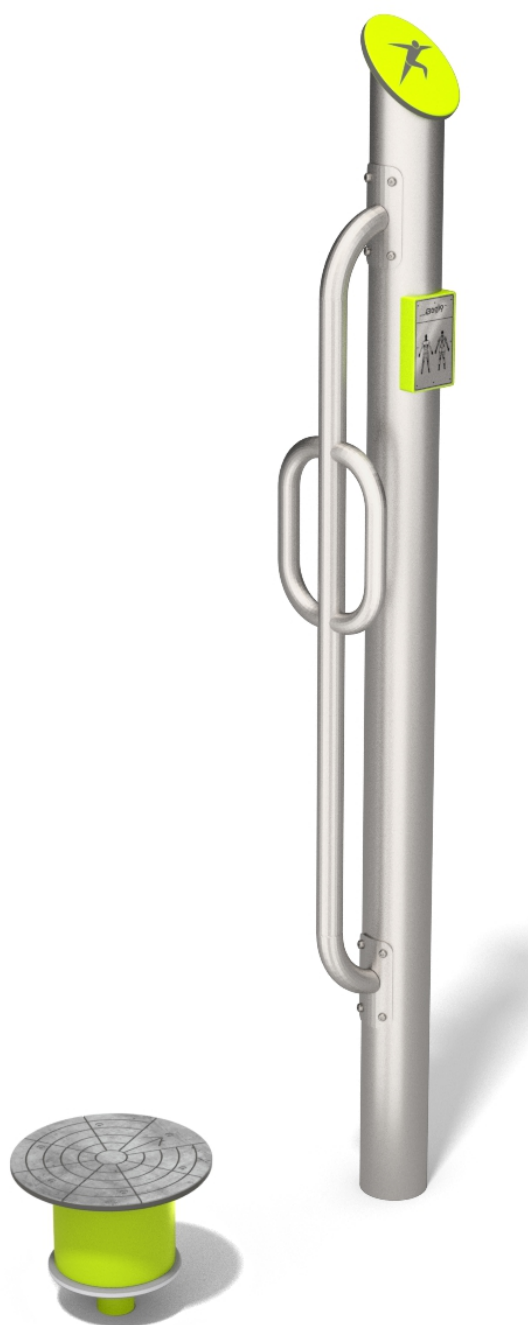


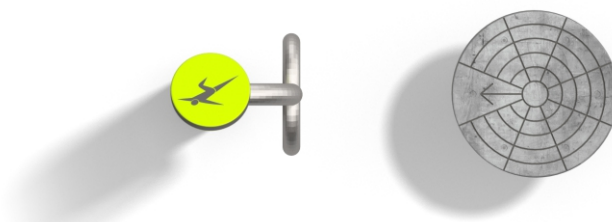
# 7803-INOX

FITNESS



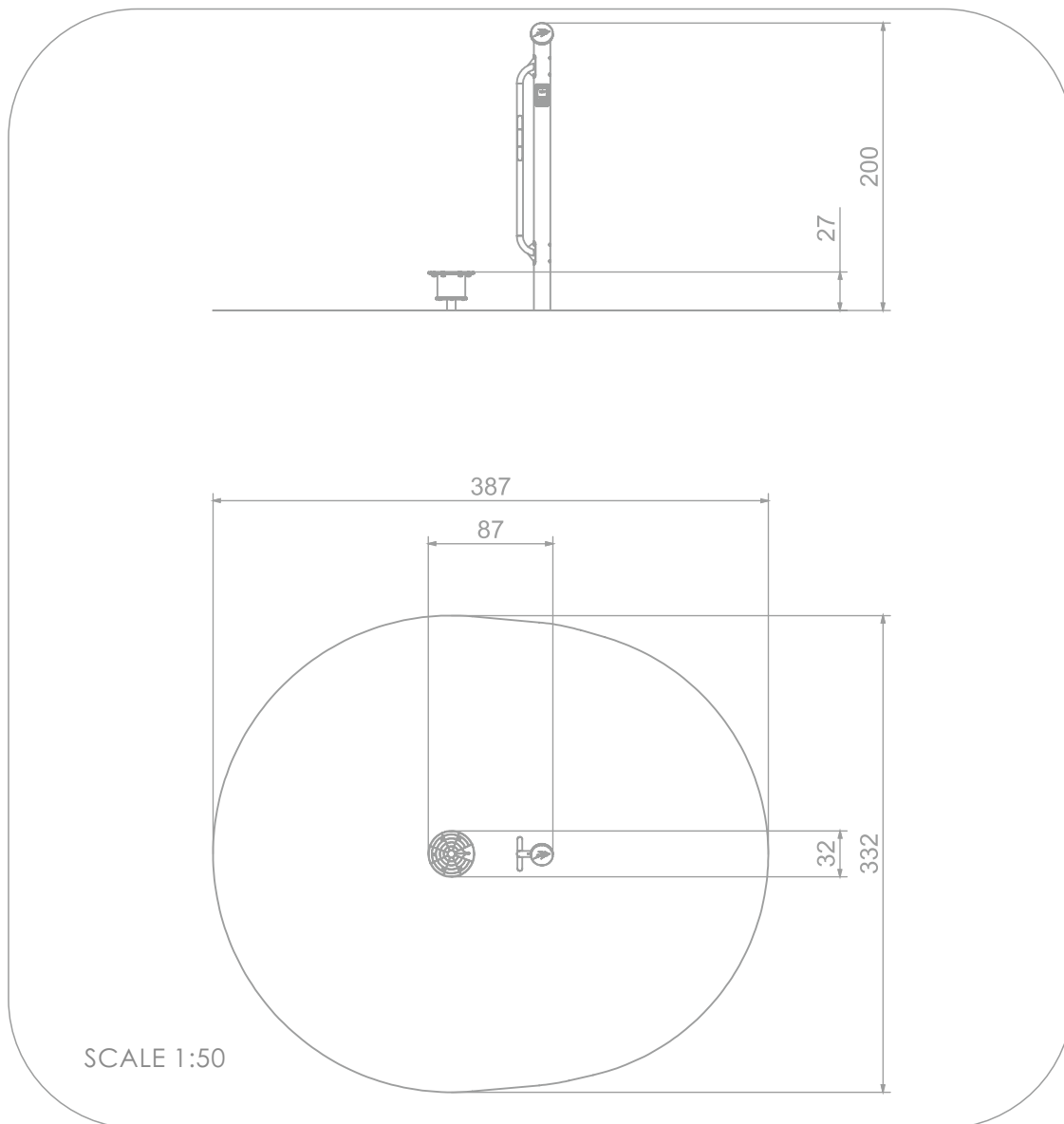
## INFORMATION ABOUT THE PRODUCT

Dimensions	87 x 32 cm
Safety zone	387 x 332 cm
Safety zone area	11 m <sup>2</sup>
Overall height	200 cm
Free fall height	27 cm
Product complies with EN 1176-1:2017-12	YES
Availability of spare parts	YES



# 7803-INOX

FITNESS



## MATERIALS:

SOLID CONSTRUCTION  
MADE OF STAINLESS STEEL  
ASISI 304 TOTALLY

ANTI-SLIP PLATE MADE OF  
13 MM HPL

PLATES MADE OF  
COLOURFUL TRIPLE LAYERED  
POLYETHYLENE HDPE 15 MM

PLATE MADE OF ANODIZED  
ALUMINIUM PLACED OF A  
HANDLE MADE OF  
POLYAMIDE

