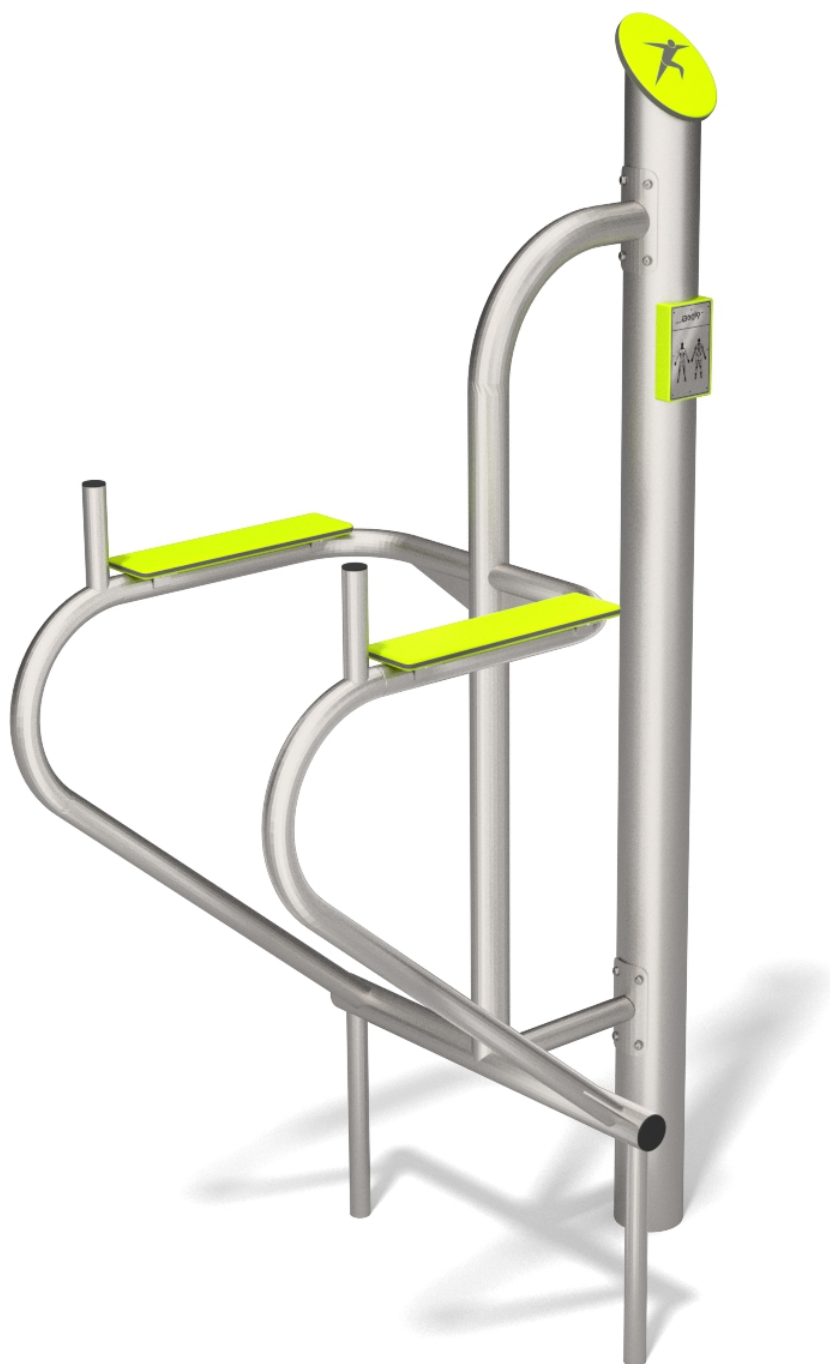


7805-INOX

FITNESS



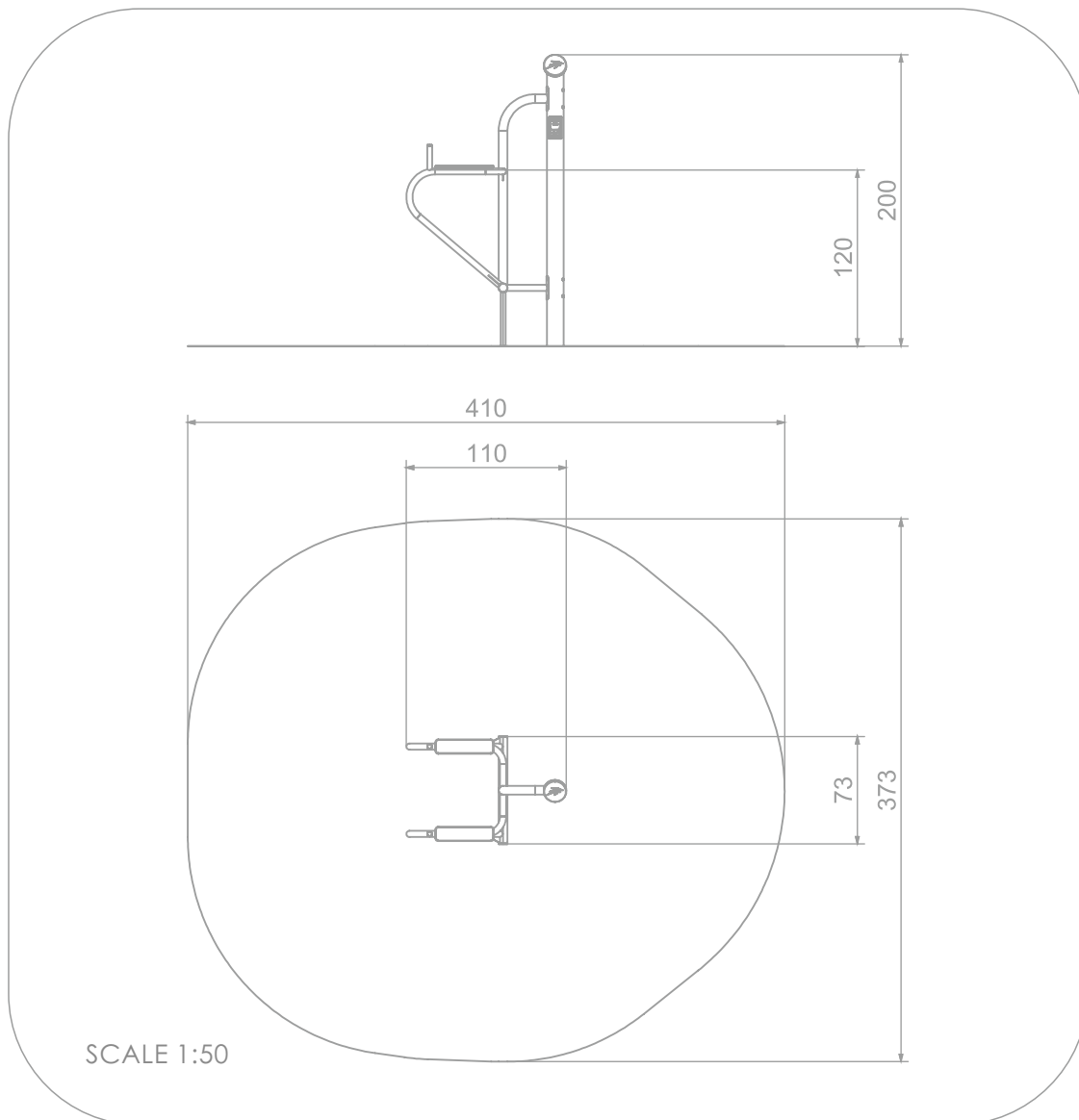
INFORMATION ABOUT THE PRODUCT

Dimensions	110 x 73 cm
Safety zone	410 x 373 cm
Safety zone area	13 m ²
Overall height	200 cm
Free fall height	120 cm
Product complies with EN 1176-1:2017-12	YES
Availability of spare parts	YES



7805-INOX

FITNESS



MATERIALS:

SOLID CONSTRUCTION
MADE OF STAINLESS STEEL
ASISI 304 TOTALLY



ANTI-SLIP PLATE MADE OF
13 MM HPL



PLATES MADE OF
COLOURFUL TRIPLE LAYERED
POLYETHYLENE HDPE 15 MM



PLATE MADE OF ANODIZED
ALUMINIUM PLACED OF A
HANDLE MADE OF
POLYAMIDE



BACK SUPPORT AND SEATS
MADE OF COLOURFUL
TRIPLE LAYERED
POLYETHYLENE HDPE 15 MM

