



3009

SINGLE



SOCIALIZING



SWINGING



### INFORMATION ABOUT THE PRODUCT

|   |                   |
|---|-------------------|
| Dimensions                              | 520 x 600 cm      |
| Safety zone                             | 790 x 790 cm      |
| Safety zone area                        | 50 m <sup>2</sup> |
| Overall height                          | 270 cm            |
| Free fall height                        | 148 cm            |
| Amount of users                         | 4                 |
| Product complies with EN 1176-1:2017-12 | YES               |
| Availability of spare parts             | YES               |
| Age range                               | 3-12              |

According to EN 1176-1:2017-12 norm, the product requires applying a safety surface according to the product's free fall height.

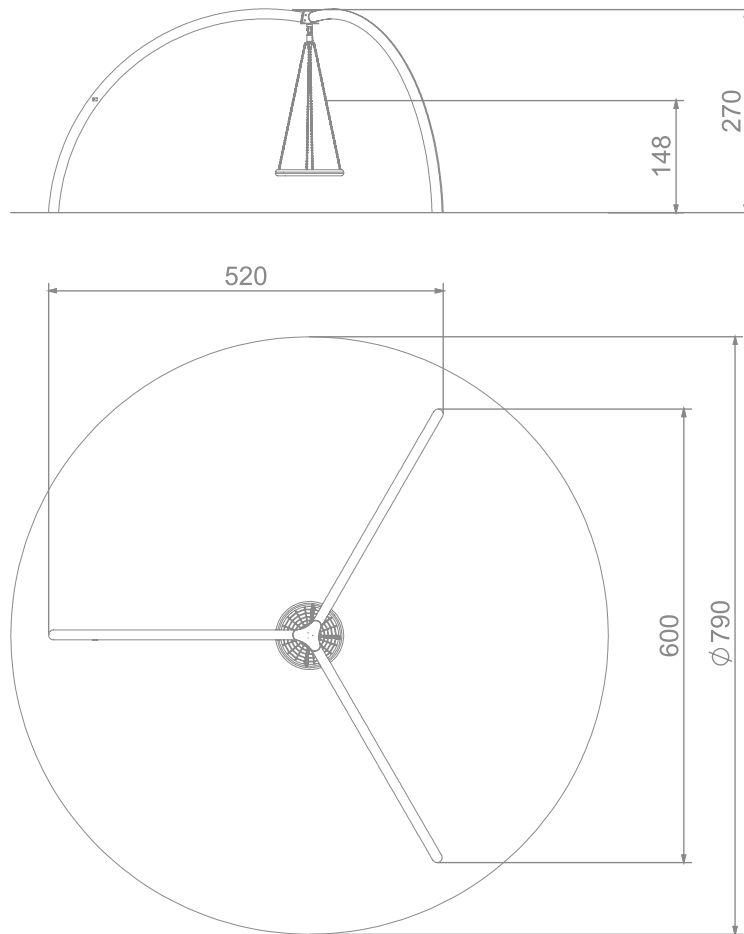




# 3009

## SINGLE

INFORMATION FOR ARCHITECTS



SCALE 1:100

### MATERIALS:

SOLID CONSTRUCTION MADE OF BLACK STEEL IS235JR, CLEANED THE SANDBLASTING PROCESS

„BIRD NEST“ TYPE SEAT WITH A DIAMETER OF 100 CM, HANGED ON 6 MM STAINLESS STEEL CHAINS

PLATES OF THE WALLS MADE OF COLORFUL TRIPLE LAYERED 15 MM HDPE POLYETHYLENE

