

# BEAUBOURG RANGE



**3 PLACE SEAT**  
Ref. 10 0160



**3 PLACE BENCH**  
Ref. 10 0162

## ► Presentation

The Beaubourg seat offers a sober and harmonious design. The warmth of the wood, the alignment of the slats and the rounded armrests make it an urban furniture particularly dedicated to your green spaces.

## ► Description

**Seat:** The seating part and backrest of the 3 place seat are made up of 7 wooden slats, 38 x 105 mm thick. The seat support is made of 10 mm thick painted galvanised steel. A 4 mm thick middle reinforcement supports the seat of the 3 place seat.

**Bench:** the seating part of the bench is made up of 3 wooden slats, 38 x 105 mm thick. The seat support is made of a 10 mm thick steel bar. A 4 mm thick median reinforcement supports the bench seat.

The legs consist of a 60 mm diameter and 2 mm thick curved tube zinc and powder coated steel. The slats on the legs and the middle reinforcement on the slats are assembled with screws.

After the application of a **flow coat**, the wood is coated with an aqueous, solvent-free wood stain emulsion to guarantee added protection and durability.

Our woods are exclusively collected in sustainably managed forests. Of high quality, they are PEFC labeled for local sourcing, FSC® labeled for exotic hardwoods, or comply with the EUTR (EU Wood Regulations).

**For optimum protection against rust and long-term performance**, the steel elements are zinc coated first, and go through our powder blast process (after having being cleaned and shot-blasted, the parts are coated with a primary layer of epoxy powder, followed by a second layer of polyester powder).

4 anchoring points.

Delivered assembled.

## ► Colours

### Colours shown:

Wood: Natural tint

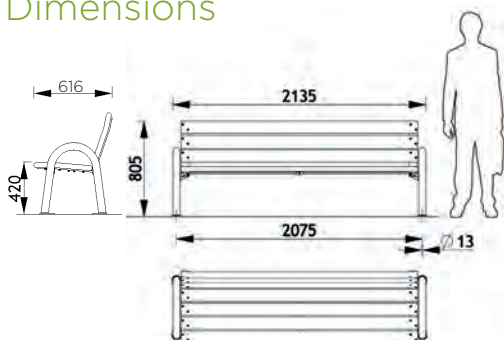
Legs: Signal black RAL 9004

*Colours can be selected from the RAL shades or other textured shades from the Akzo Nobel Futura range.*

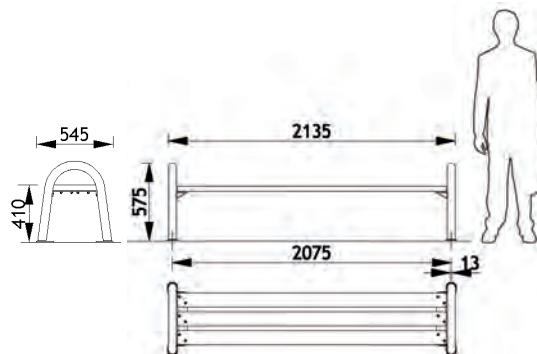
## ► Wood stains

EXOTIC WOOD	EXOTIC WOOD OR ASH	EXOTIC WOOD OR ASH	EXOTIC WOOD OR ASH
non stained	with natural wood stain	with mahogany wood stain	with walnut wood stain

## ► Dimensions



**3 place seat**  
Ref. 10 0160 - 72 kg



**3 place bench**  
Ref. 10 0162 - 38 kg



The mark of responsible forestry

# BEAUBOURG GERO RANGE



**3 PLACE SEAT**  
Ref. 10 0160 GS3



**2 PLACE SEAT**  
Ref. 10 0160 GS2



**MULTIPLACE SEAT**  
Ref. 10 0160 GD4

## Colours

### Colours shown:

Wood: Natural tint

Legs: Signal black RAL 9004

Colours can be selected from the RAL shades or other textured shades from the Akzo Nobel Futura range.

## Wood stains

EXOTIC WOOD	EXOTIC WOOD OR ASH	EXOTIC WOOD OR ASH	EXOTIC WOOD OR ASH
non stained	with natural wood stain	with mahogany wood stain	with walnut wood stain

## Presentation

The Beaubourg range has been enriched with models **specially designed for people with reduced mobility**.

Seating comfort and ease of sitting and getting up have been carefully designed. Thus, the 48 cm seat height and the ergonomic armrests make the furniture easy to use.

The elegance of the Beaubourg range will be an asset for your green or architectural spaces.

## Description

### GERO Multiplace seat

The Gero multiplace seat bench is made of 2 seating parts, 2 backs and 3 legs.

The seating parts and backrests are made of 14 wooden slats, 38 x 105 mm thick.

6 anchoring points.

### GERO 2 place and 3 place seats

The Gero seat is made of a seating part, a backrest and 2 legs. A 4 mm thick middle reinforcement supports the seating part of the 3 place seat. The seating part and backrest are made of 7 wooden slats, 38 x 105 mm thick.

4 anchoring points.

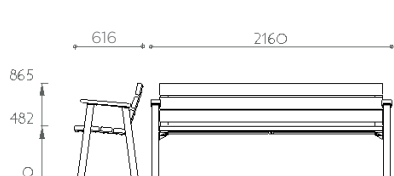
The legs consist of a 60 mm diameter and 2 mm thick curved tube in zinc and powder coated steel and a 10 mm thick seat support. The 30 x 85 mm wooden armrests are fixed onto the legs.

After the application of a **flow coat**, the wood is coated with an aqueous, solvent-free wood stain emulsion to guarantee added protection and durability.

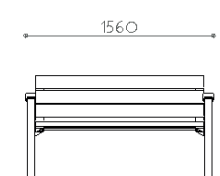
Our woods are exclusively collected in sustainably managed forests. Of high quality, they are PEFC labeled for local sourcing, FSC® labeled for exotic hardwoods, or comply with the EUTR (EU Wood Regulations).

**For optimum protection against rust and long-term performance**, the steel elements are zinc coated first, and go through our powder blast process (after having being cleaned and shot-blasted, the parts are coated with a primary layer of epoxy powder, followed by a second layer of polyester powder). Delivered assembled.

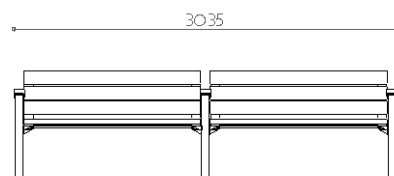
## Dimensions



**3 place seat**  
Ref. 10 0160 GS3 - 74 kg



**2 place seat**  
Ref. 10 0160 GS2 - 59 kg



**Multiplace seat**  
Ref. 10 0160 GD4 - 111 kg



# BERCY RANGE



**3 PLACE SEAT**  
Ref. 13 0162



**3 PLACE BENCH**  
Ref. 13 0162B

## Colours

### Colours shown:

Seat and back: Traffic blue RAL 5017

Legs: Traffic black RAL 9017

Colours can be selected from the RAL shades or other textured shades from the Akzo Nobel Futura range.

## Presentation

Bercy furniture has a sober and harmonious design. The transparency of the metal frame of the furniture plays harmoniously with the light and gives it a discreet presence. The roundness of its armrests provides an elegant finish. The seat and back of this urban furniture are made according to a specific patented assembly process, which gives them maximum solidity and comfort.

## Description

The seating part and backrest of the seat consists of 2 City type steel tubes, 50 x 40 mm thick, of 8 mm rods and flat metal sheets for fixing.

The legs consist of a 60 mm diameter bent tube and 2 mm thick in zinc and powder coated steel.

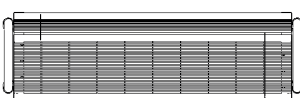
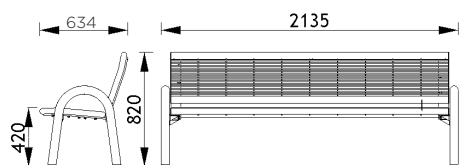
The seating part and backrest are assembled to the legs using screws and nuts.

**For optimum protection against rust and long-term performance,** the steel elements are zinc coated first, and go through our powder blast process (after having being cleaned and shot-blasted, the parts are coated with a primary layer of epoxy powder, followed by a second layer of polyester powder).

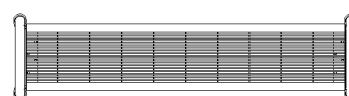
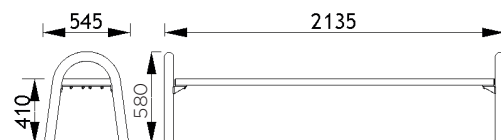
4 anchoring points.

Delivered assembled.

## Dimensions



**3 place seat**  
Ref. 13 0162 - 80 kg



**3 place bench**  
Ref. 13 0162B - 45 kg



The mark of responsible forestry

# BERCY GERO RANGE



**3 PLACE SEAT**  
Réf : 13 0162 GS3



**2 PLACE SEAT**  
Réf : 13 0162 GS2



**MULTIPLACE SEAT**  
Réf : 13 0162 GD4

## Colours

### Colours shown :

Seat and back: Traffic blue RAL 5017  
Legs: Traffic black RAL 9017  
Armrests: mahogany tint  
Colours can be selected from the RAL shades or other textured shades from the Akzo Nobel Futura range.

### Wood stains for armrests

EXOTIC WOOD non stained	EXOTIC WOOD OR ASH with natural wood stain	EXOTIC WOOD OR ASH with mahogany wood stain	EXOTIC WOOD OR ASH with walnut wood stain
----------------------------	--	---	---

## Presentation

The Bercy range has been enriched with models **specially designed for people with reduced mobility**. Seating comfort and ease of sitting and getting up have been carefully designed. Thus, the 48 cm seat height and the ergonomic armrests make the furniture easy to use. The elegance of the Bercy range will be an asset for your green or architectural spaces.

## Description

### GERO Multiplace seat

The Gero multiplace seat bench is made of 2 seating parts, 2 backs and 3 legs. The seating part and backrest upholstery of the bench consists of 2 City tubes in painted zinc-plated steel with a section of 50 x 40 mm, rods with a diameter of 8 mm and flat fixing irons. 6 anchoring points.

### GERO 2 place and 3 place seats

The Gero seat is made of a seating part, a backrest and 2 legs. The seating part and backrest upholstery of the bench consists of 2 City tubes in painted zinc-plated steel with a section of 50 x 40 mm, rods with a diameter of 8 mm and flat fixing irons. 4 anchoring points.

The legs consist of a bent tube 60 mm in diameter and 2 mm thick in painted galvanized steel and a seat support 10 mm thick in painted galvanized steel. The wooden armrests with a section of 30 x 85 mm are integrated into the legs. The entire bench is screwed down.

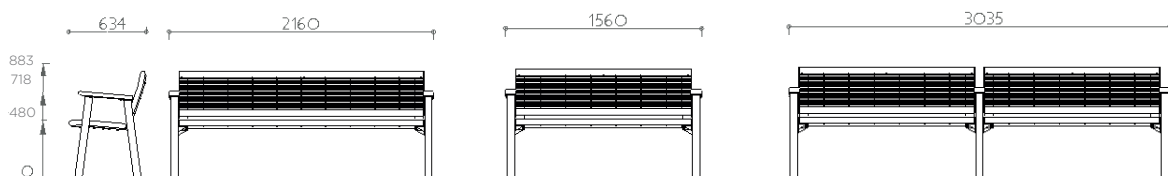
After the application of a **flow coat**, the wood is coated with an aqueous, solvent-free wood stain emulsion to guarantee added protection and durability.

Our woods are exclusively collected in sustainably managed forests. Of high quality, they are PEFC labeled for local sourcing, FSC® labeled for exotic hardwoods, or comply with the EUTR (EU Wood Regulations).

**For optimum protection against rust and long-term performance**, the steel elements are zinc coated first, and go through our powder blast process (after having being cleaned and shot-blasted, the parts are coated with a primary layer of epoxy powder, followed by a second layer of polyester powder).

Delivered assembled.

## Dimensions



**3 place seat**  
Ref. 13 0162 GS3 - 80 kg

**2 place seat**  
Ref. 13 0162 GS2 - 65 kg

**Multiplace seat**  
Ref. 13 0162 GD4 - 123kg



The mark of responsible forestry